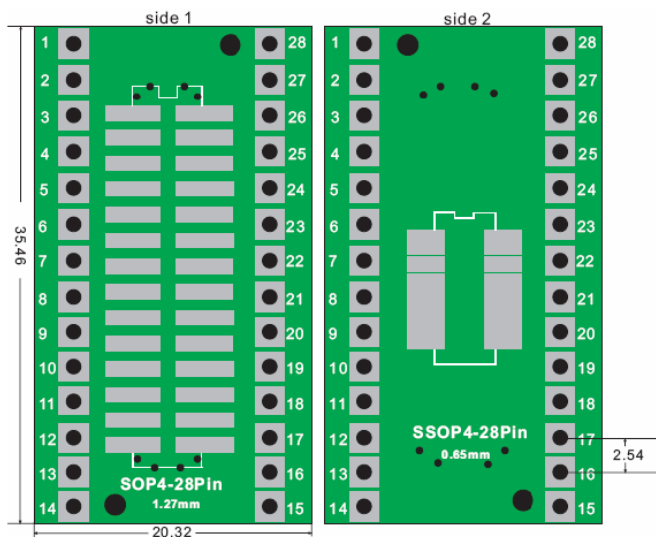


No. 1568250



### Technical data

**Function:**  
SOP4-28Pin & SSOP4-28Pin package to DIP

#### Technical Data:

Board Material	FR-4
SMD package	SOP4-28Pin (side 1) SSOP4-28Pin (side 2)
Pitch	1.27 (Side 1) 0.65 (Side 2)
Board Thickness	1.6mm ± 0.1mm
Surface Technioque	Spray tin 5-8um
Copper Thickness	35um ± 5um
Solderability	260°C at 3s - 1.1%
Flammability	V-0
Surface Resistivity	1.0 x 10 <sup>6</sup> MΩ
Volume Resistivity	1.0 x 10 <sup>8</sup> MΩ - cm
Arc Resistance	125sec.