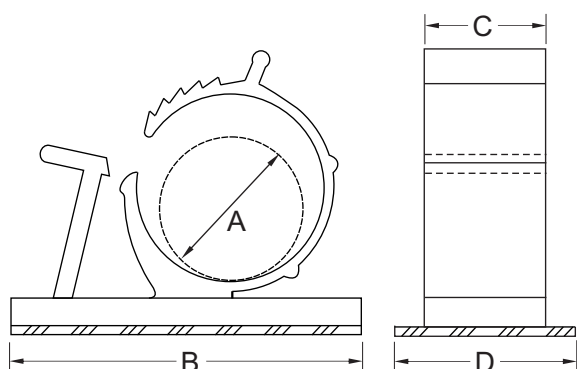


Fully Transparent Self-Adhesive Cable Clips, Adjustable



Specification

Material: Nylon 66

Color: Transparent

Adhesive tape: "3M" #4910

Working Temp.: -20°C ~ 85°C

B/N	A (mm)	B (mm)	C (mm)	D (mm)
1568970	11 - 15	32.0	10.2	19.4
1568971	15 - 19	38.0	12.7	19.0
1565731	20.5 - 25.5	42.0	12.7	25.4
1565732	23 - 28	42.0	13.0	25.4