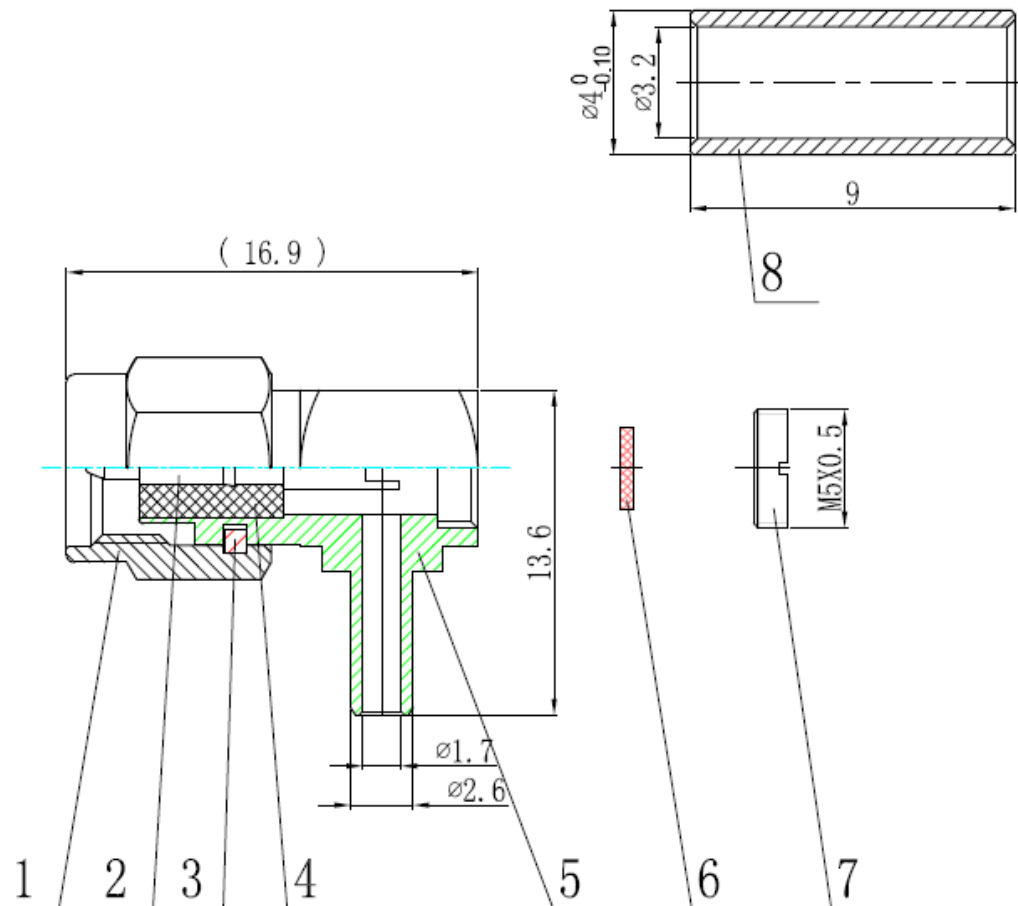


## Data Sheet

### SMA Angled Plug for Crimping RG174




No.	Description	Material	Plating
1	Barrel	HPb59-1	Gold plated
2	Pin	HPb59-1	Gold plated
3	Packing Ring	QSn6.5-0.1	Gold plated
4	Insulator	PTFE	-
5	Body	HPb59-1	Gold plated
6	Packing Ring	PTFE	-
7	Barrel	HPb59-1	Gold plated
8	Bush	HP62	Ni

## Data Sheet

---

WEIGHT	SCALE
	2:1



The technical drawing shows a tapered shaft with a center mark. The shaft is oriented horizontally, tapering from left to right. A red center mark is visible on the right end of the shaft.