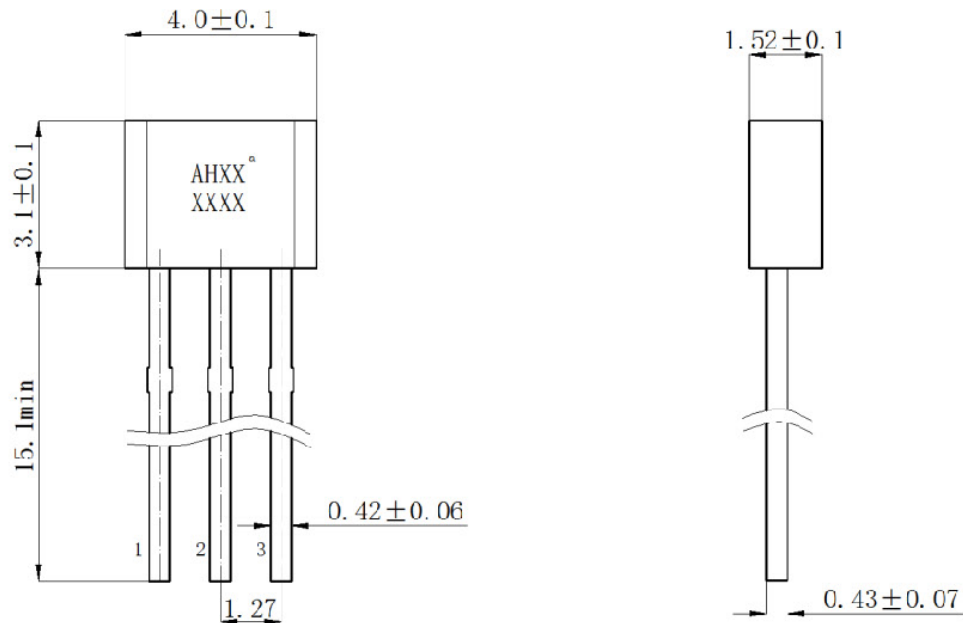


Linear hall effect IC



- Operating temperature range: -40°C ~ 150°C ;
- Rated working voltage 4.5 V ~ 10.5 V , the limit voltages as low as 12 V ;
- Signal stability, reliability and safety;
- There are two packages and packing options;
- Small drift of output signal
- Strong Resistance to mechanical stress and thermal stress capability;
- It can connect directly with digital circuit;
- Products meet the EU RoHS instruction 2011/65 / EU and REACH regulations 1907/2006 / EU requirements.

Datasheet

Item no. 1569219

V1_07312018_01_en

Limit Condition

Parameter	Symbol	Limit Value		Unit
		Min.	Max.	
Storage Temp.	T_s	-65	170	°C
Supply Voltage	V_{cc}	4.5	8.0 (注 1)	V
Magnetic Strength	B	unlimited	unlimited	mT

Operating Condition

Parameter	Symbol	Limit Value		Unit
		Min.	Max.	
Supply Voltage	V_{CC}	4.5	6.0 (Note 1)	V
Operating Temp.	T_a	-40	125 (Note 2)	°C
Supply Current	I_{cc}	—	12 (Note 3)	mA

Electrical characteristic

Test Condition	Quiescent Output Voltage			Unit
	Min.	Typ.	Max.	
$T_A=25\text{°C}$, $B=0\text{mT}$, $V_{cc}=5\text{V}$	2.25	2.50	2.75	V

Datasheet

Item no. 1569219

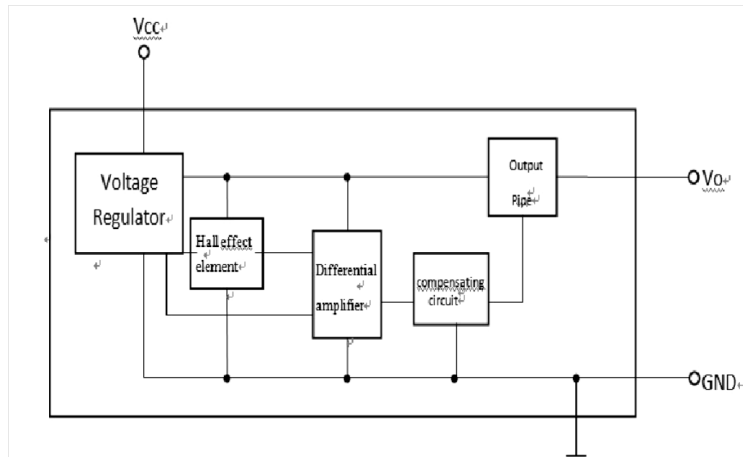
V1_07312018_01_en

Magnetic Characteristic

Package	sensitivity (Note1)			Linearity range (Note2)	
	Min.	Typ	Max	Min.	Max.
UA	19.5	22.0	25.5	-100	100

Note1: Unit is mV/ mT. The sensitivity has certain reference significance only when the sensor is in the linearity zone. When the magnetic strength of the filed being tested is over the linearity range, It's no way to give the corresponding relations between magnetic strength and the voltage.

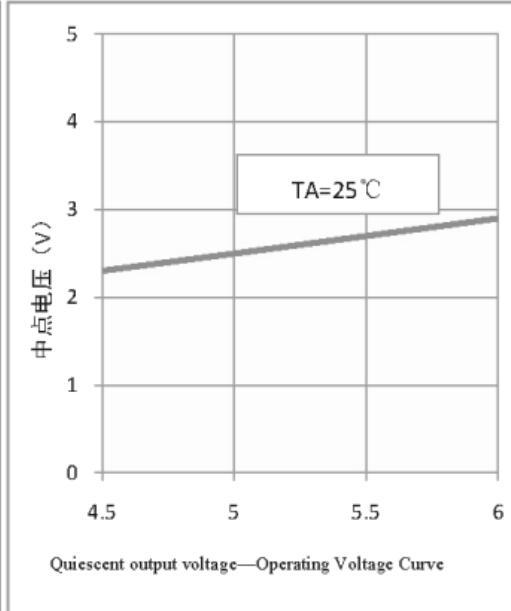
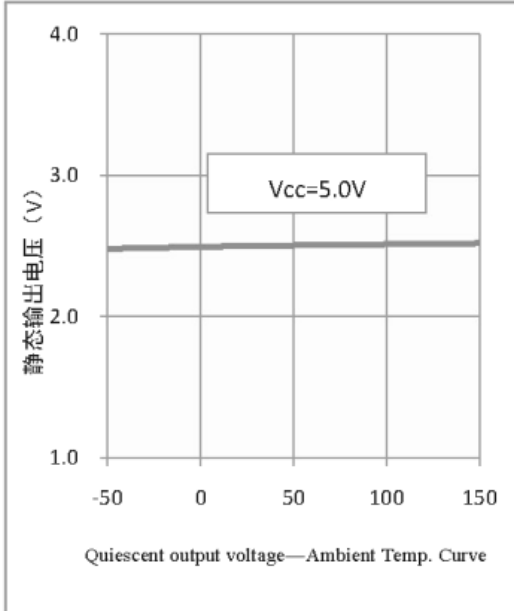
Note 2: Unit is mT: 1mT=10Gs .We suggest the sensor's operating field should be less than the range given in the above form in the actual application.



Pin Function

Pin No.	Pin Symbol	Pin Name	Function
1	Vcc	Power Supply	Power Supply (+)
2	GND	Ground	Power Supply (-)
3	Vo	Output	Analog Voltage

● Electrical Characteristic



● Magnetic Characteristic

