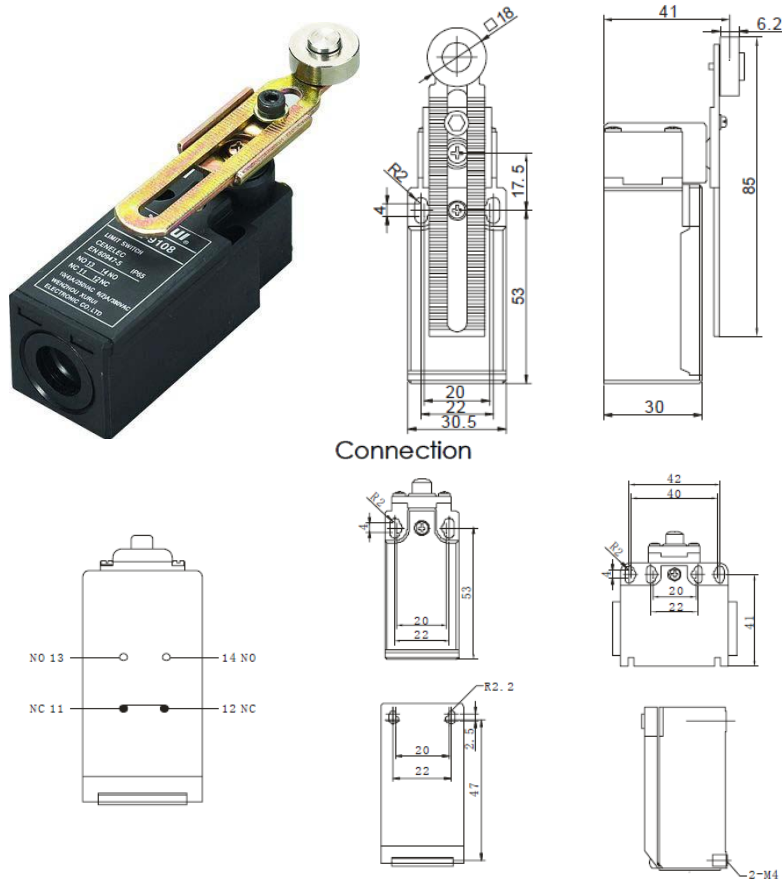


Limit Switch



| | |
|---------------------------------------------|----------------------------|
| Housing Material: | Thermoplastic cover |
| Contact Material And Plating: | Silver Contact |
| Tolerance (Tolerance Standard GB/T1804-M) : | >6-30/±0.2 ; >30-120±0.3 |
| Rating : | 10(4)A/250VAC,6(2)A 380VAC |
| Operation Speed : | 5mm-0.5m/s |
| Insulation Resistance : | ≥100MΩ(above)DC500V |
| Contact Resistance : | 25mΩ(initial value) |
| Withstand Voltage of Non-Connection Wire: | 1000VAC |
| Withstand Voltage of Every Terminal : | 1500VAC |
| Vibration Misoperation: | 10-55Hz Amplitude 1.5mm |

Datasheet

Item no. 1569253

V1_08062018_01_en

| | |
|----------------------------------|----------------------------|
| Actuator Type : | Adjustable roller arm type |
| Electrical Life: | 100,000 above |
| Mechanical Life : | 1,000,000 above |
| Operating Temperature: | -10~70 Celsius degrees |
| Operating Humidity : | < 85 % |
| Mechanical Operation Frequency : | 120 times/min |
| Electrical Operation Frequency : | 30 times/min |