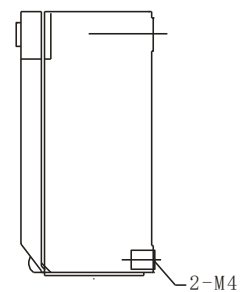
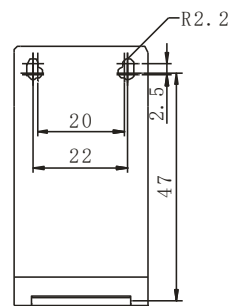
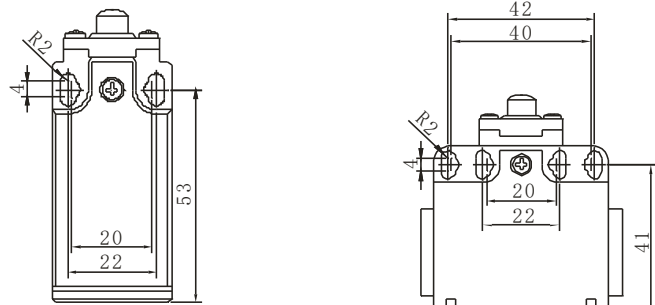
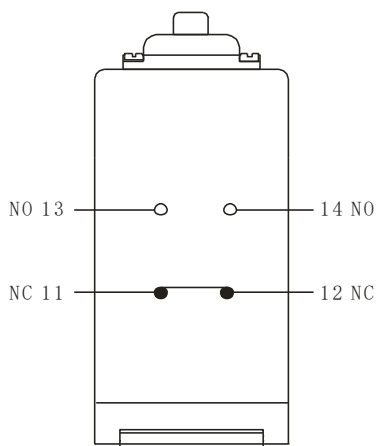
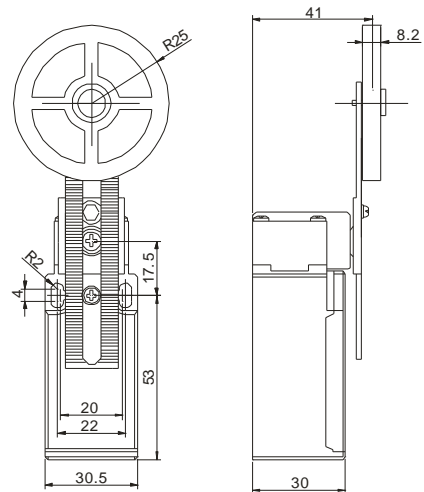


Data Sheet

Limit Switch



Data Sheet

Technical data

Housing Material: Thermoplastic cover

Contact material and plating: silver contact.

Tolerance (Tolerance standard GB/T1804-m): >6-30/±0.2; >30-120±0.3

Rating load: 10(4)A/250VAC, 6(2)A 380VAC

Operation speed: 5mm-0.5m/s

Insulation resistance: ≥100MΩ(above)DC500V

Contact resistance: 25mΩ (initial value)

Withstand voltage of Non-connection wire: 1000 VAC

Withstand voltage of Every terminal: 1500 VAC

Vibration Misoperation: 10-55Hz Amplitude 1.5mm

Actuator type: Adjustable big roller arm type

Electrical life: 100,000 above

Mechanical life: 1,000,000 above

Operating temperature: -10~70 Celsius degrees.

Operating humidity: < 85 %

Mechanical operation frequency: 120 times/min

Electrical operation frequency: 30 times/min