

# Data Sheet

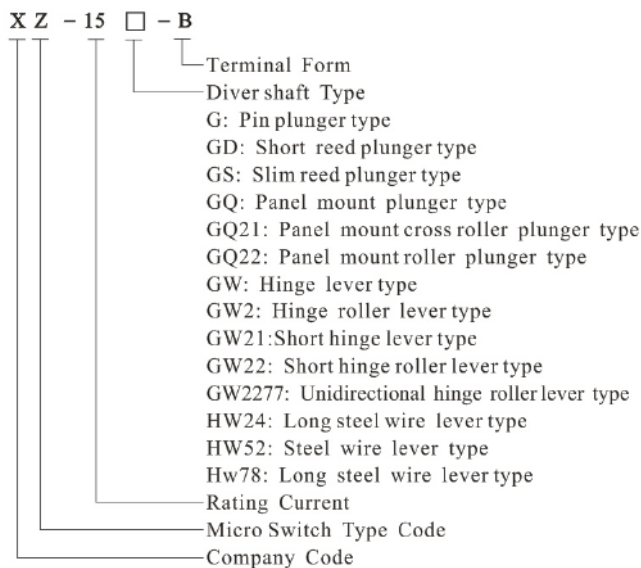
## Micro Switch



### 1. Features & Application

- Adopt thermosetting plastic or thermoplastic
- Small contact gap, snap action, high sensitivity and small operating travel
- Variety of levers
- Widely used in appliance, electronic equipment, automatic machine, communication equipment, car electric, apparatus and instrument, electro motion tool etc

### 2. Model & Meanings



## Data Sheet

---

### 3. Technical Specification

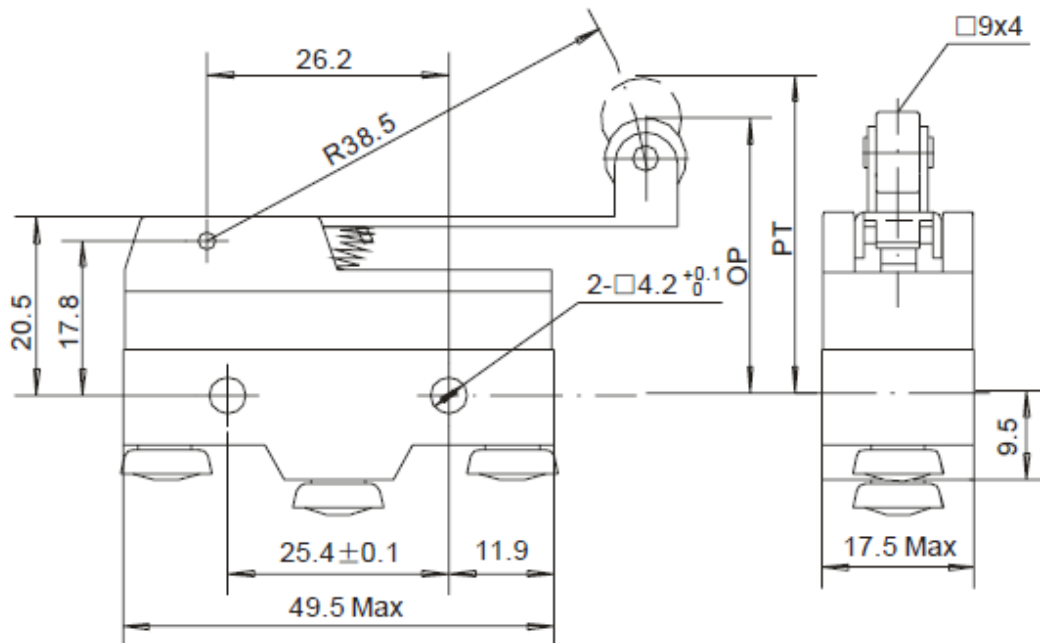
Item	Data	
Operation speed	1mm-1m/s	
Operation frequency	Mechanical	240times / min
	Electrical	20times/ min
Insulation resistance	100MΩ	
Contact resistance	25 MΩ(initial value)	
Withstand Voltage	Non-connection wire	1000VAC

	Every terminal	1500VAC
Vibration	Misoperation	10-55HZ(amplitude)1.5mm
Impact	Durable	1000m/s
	Misoperation	300m/s
Life	Electrical	100,000times above
	Mechanical	1,000,000times above
Ambient operating temperature	-25-80°C	
Humidity	< 85%	

Rating voltage (V)	Rating current (A)	Ith current (A)
AC-250	15	20
AC-125	15	20
DC-250	0.3	0.45
DC-125	0.6	0.75

## Data Sheet

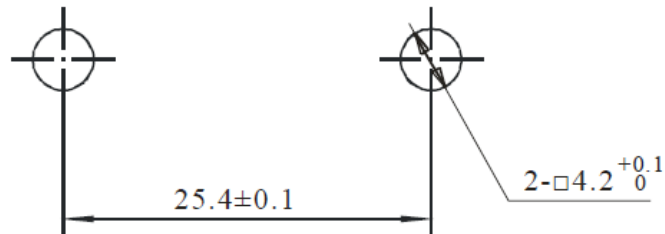
### 4. Outshape and mounting dimensions.



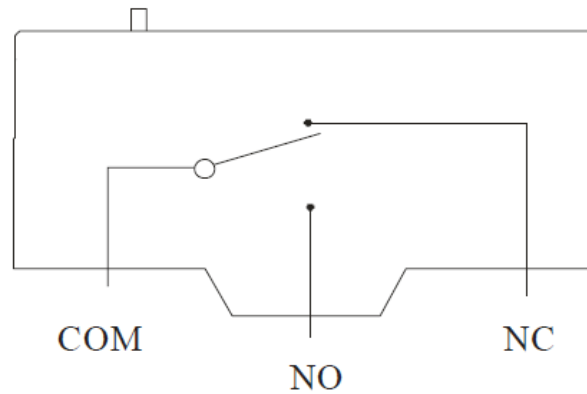
## Data Sheet

---

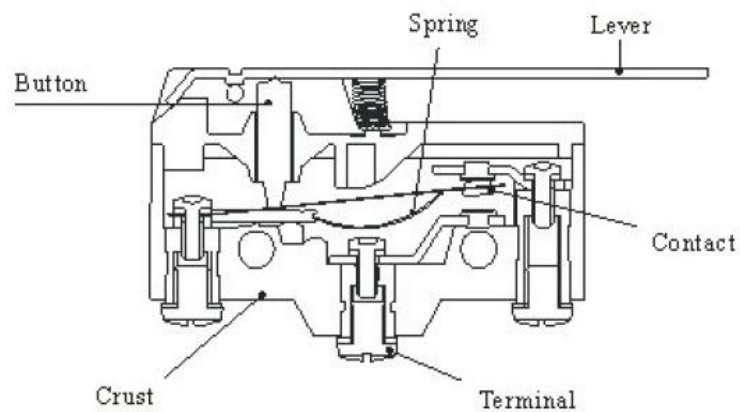
### 5. Mounting Hole



### 6. Contact Form



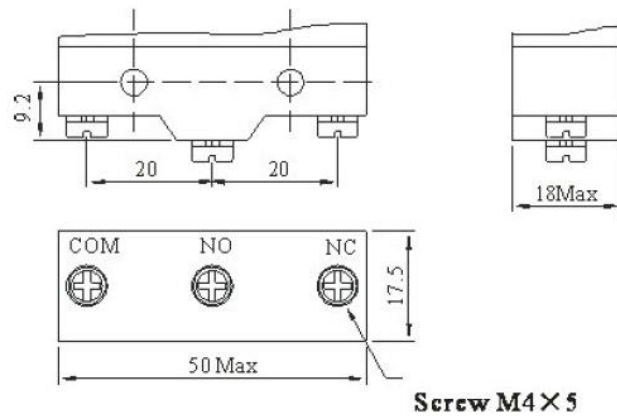
### 7. Structure



## Data Sheet

---

### 8. Terminal



### 9. Certifications

CCC, CE, UL, TUV

### 10. Tolerance standard:

#### GB/T 1804-M

>6-30/±0.2

>30-120/±0.3