

# Data Sheet - TRU Components

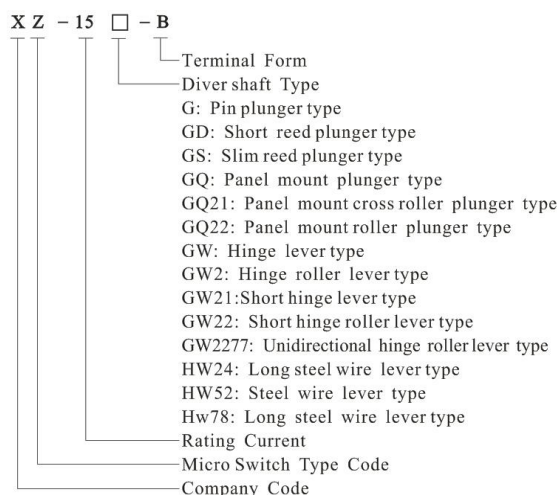
## BN 1569259 Micro Switch XZ-15GW22-B

Last updated: 22 February 2024

### Features & Application

- Adopt thermosetting plastic or thermoplastic.
- Small contact gap, snap action, high sensitivity, and small operating travel
- Variety of levers
- Widely used in appliances, electronic equipment, automatic machine, communication equipment, car electric, apparatus and instrument, electro motion tool etc.

### Model & Meaning



### Technical Data

Item	Data	
Operation speed	0.1mm-1m/s	
Operation frequency	Mechanical	240times / second
	Electrical	20times/second
Insulation resistance	100MΩ	
Contact resistance	25 MΩ(initial value)	
Withstand Voltage	Non-connection wire	1500VAC
	Every terminal	2000VAC
Vibration	Misoperation	10-55HZ (amplitude)1.5mm
Impact	Durable	1000m/s
	Misoperation	300m/s
Life	Electrical	100,000times above
	Mechanical	1,000,000times above
Protection degree	IP40	
Ambient operating temperature	-25-80°C	

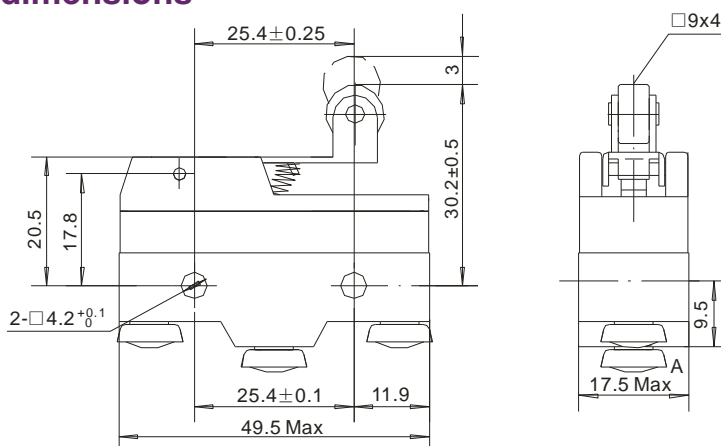
## Data Sheet - TRU Components

### BN 1569259 Micro Switch XZ-15GW22-B

Humidity	< 85%
----------	-------

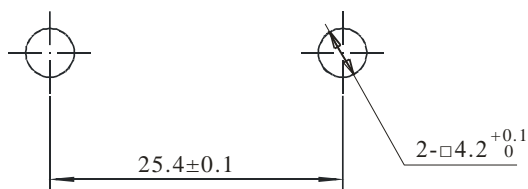
Rating voltage (V)	Rating current (A)	lth current (A)
AC-250	15	20
AC-125	15	20
DC-250	0.3	0.45
DC-125	0.6	0.75

### Out shape and mounting dimensions

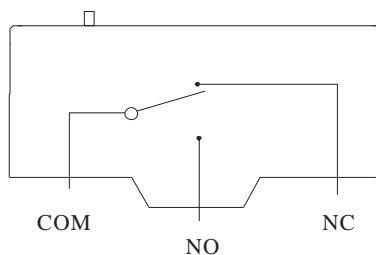


OF max.	80 g (0.78N)
RF min.	14 g (0.14N)
PT max.	8mm
OT min.	3.6mm
MD max.	1.2mm
OP	19±0.8mm

### Mounting Hole



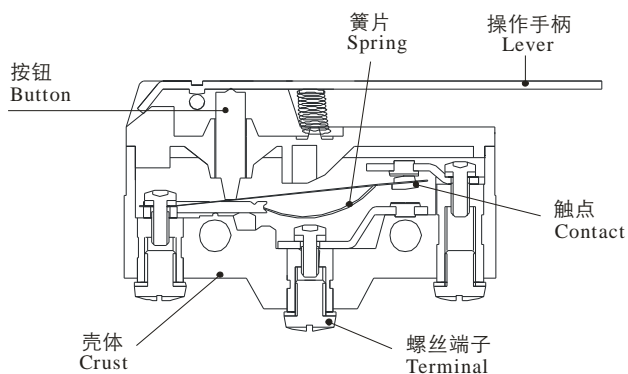
### Contact Form



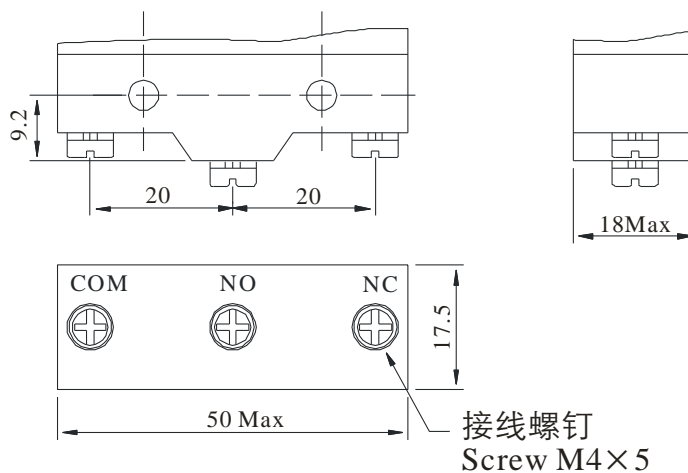
# Data Sheet - TRU Components

## BN 1569259 Micro Switch XZ-15GW22-B

### Structure



### Terminal



### Certifications

CCC, CE, UL, TUV

### Tolerance standard

GB/T 1804-M  
 >6-30/±0.2  
 >30-120/±0.3