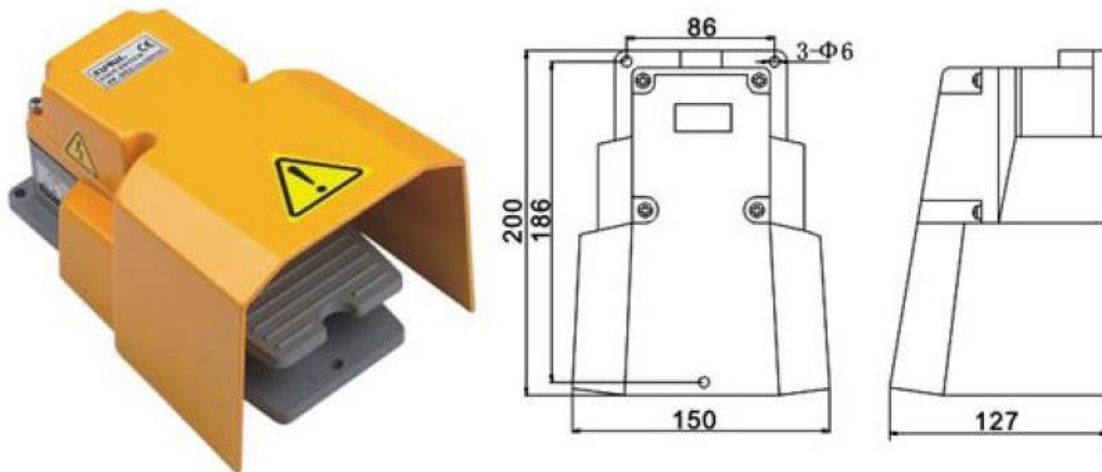


Data Sheet

Foot Switch

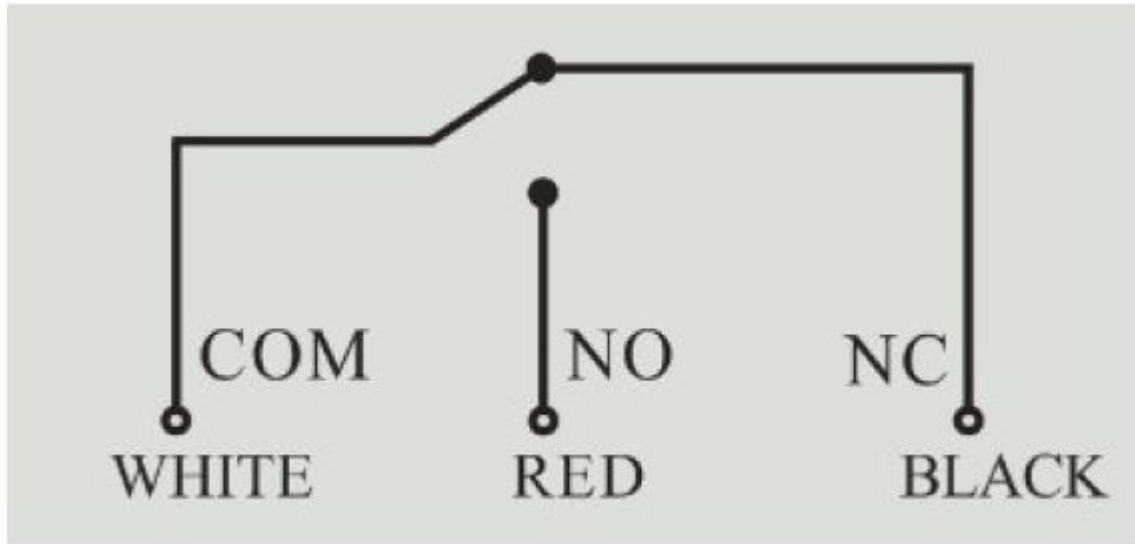


- Adopt metalshell, hard and strong in volume, stand wear and tear.
- Widely used in various of industrial machinery, just like industrial automation installment, transport, stamping, medical treatment, testing etc.

Rating	15 A 250 VAC
Contact	1A1B
Operation type	Momentary
Switch position	1 x Off / (On)
Material of Rind	Aluminum
Insulation resistance	$\geq 100 \text{ M}\Omega$
Contact resistance	$\leq 25 \text{ m}\Omega$
Withstand voltage	2000 VAC
Electrical life	$\geq 100,000$
Temperature	-25 - 75 °C
Humidity	< 85%

Data Sheet

Connection diagram



Certifications

CE, TUV

Tolerance standard GB/T1804-m

>30-120/±0.3