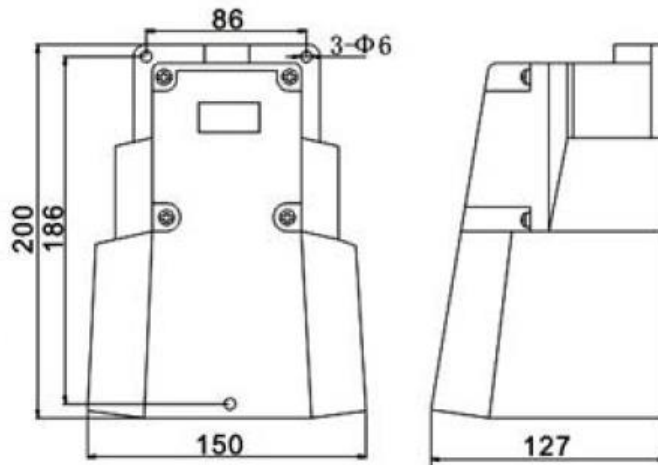


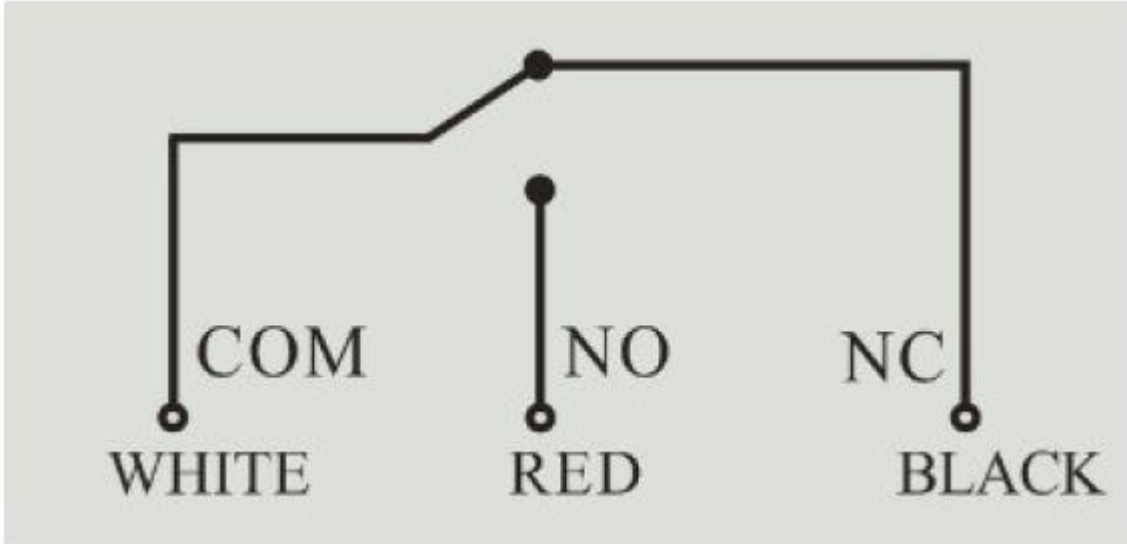
Foot Switch



- Adopt metalshell, hard and strong in volume, stand wear and tear.
- Widely used in various of industrial machinery, just like industrial automation installment, transport, stamping, medical treatment, testing etc.

Rating	15A 250VAC
Contact	1A1B
Material of Rind	Aluminum
Insulation resistance	$\geq 100M\Omega$
Contact resistance	$\leq 25m\Omega$
Withstand voltage	2000VAC
Electrical life	$\geq 100,000$
Temperature	-25-75°C
Humidity	< 85%

Connection diagram



Certifications

CE, TUV

Tolerance standard GB/T1804-m

>30-120/±0.3