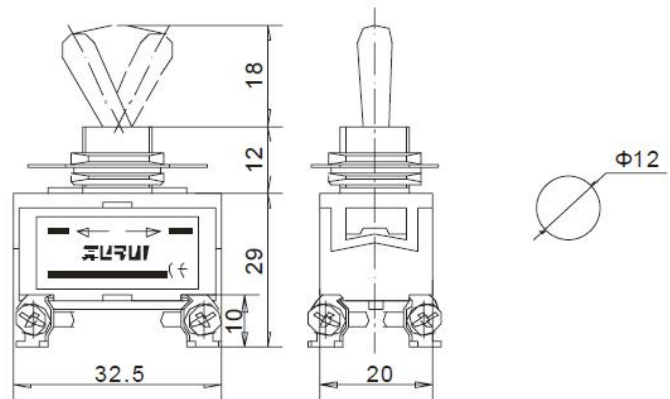


## Data Sheet

---

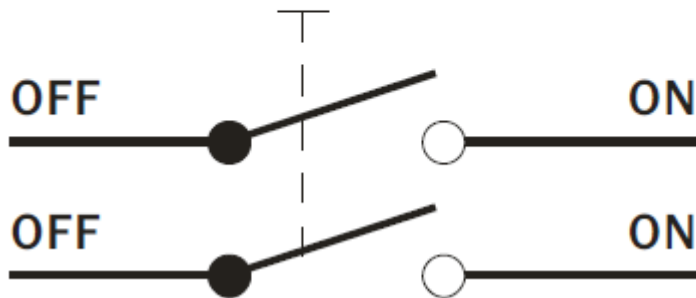
### Toggle Switch

XT-21B  
ON-OFF



## Connection Diagram

DPST ON-OFF



## Data Sheet

---

### Technical data

1 Number of pins.....	4 pins
2 Housing Material.....	Thermoplastic cover
3 Actuator material and plating: Lever.....	copper, plating Nickel
4 Contact material and plating.....	silver contact
5 Tolerance ( Tolerance standard GB/T1804-m).....	>6-30/±0.2
6 Rating load.....	15A/250VAC
7 Contact resistance.....	25mΩ(initial value)
8 Insulation resistance.....	≥100MΩ(above)DC500V
9 Withstand voltage of Non-connection wire .....	1000VAC
10 Withstand voltage of Every terminal.....	1500VAC
11 Electrical life.....	100, 000 above
12 Mechanical life.....	500, 000 above
13 Operating temperature.....	-25~80 Celsius degrees.
14 Operating humidity.....	< 85 %