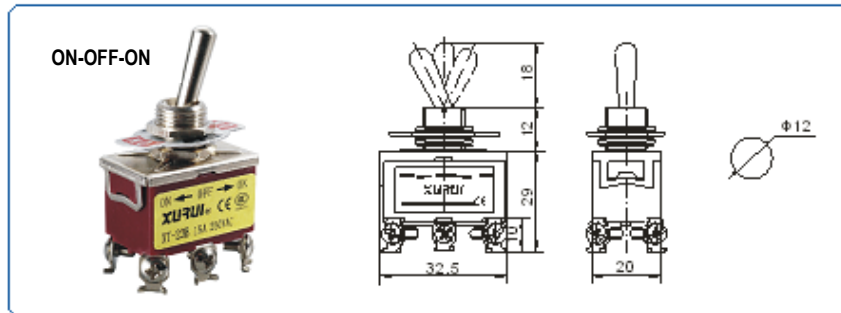
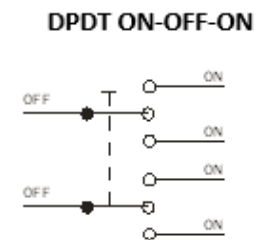


Data Sheet

Toggle switch



Connection Diagram



Number of pins:	6 pins
Housing material:	Thermoplastic cover
Actuator material and plating:	Copper, plating nickel
Contact material and plating:	Silver contact
Tolerance (Tolerance standard GB/T1804-m):	>6-30/±0.2
Rating load:	15A/ 250VAC
Contact resistance:	25mΩ (initial value)
Insulation resistance:	≥ 100mΩ(above) DC500V
Withstand voltage of non-connection wire:	1000VAC
Withstand voltage of every terminal:	1500VAC
Electrical life:	100,000 above
Mechanical life:	500,000 above
Operating temperature:	-25~80°C
Operating humidity:	<85%