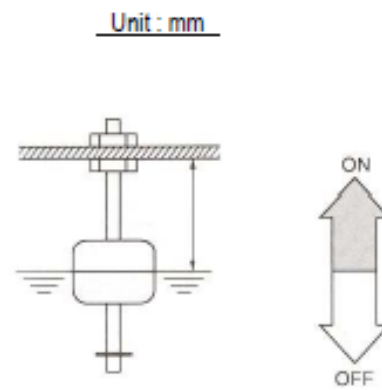
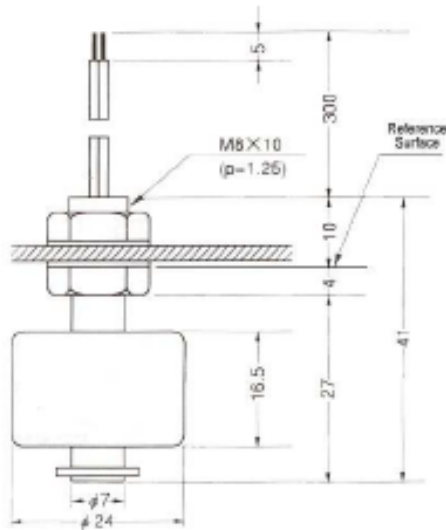
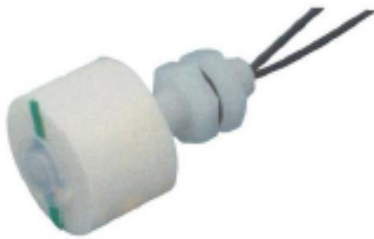


# Data Sheet

## Level Sensor Switch

Version 05/23



ON	10.5 min.
OFF	17.5 max.

### Specifications :

Fluid Applicable	water (1.0)	
Material	Case	PP resin
	Float	PP resin
Electrical Characteristic	Max. Switching Power	50 W
	Max. Switching Voltage	200 V
	Max. Switching Current	0.6 A
	Contact Withstand Voltage	250 V DC
	Contact Resistance	0.3 Ω max.
Operating Temperature	- 10 to + 60°C	