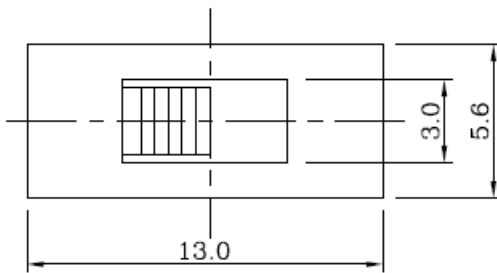
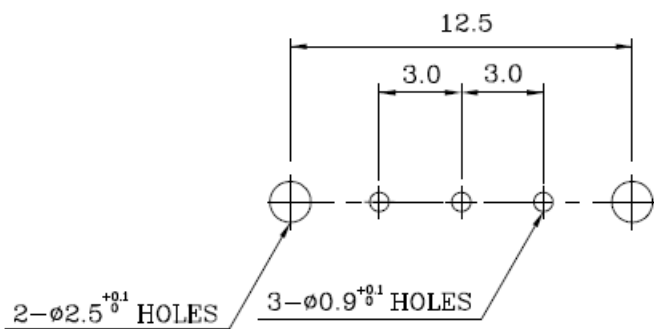
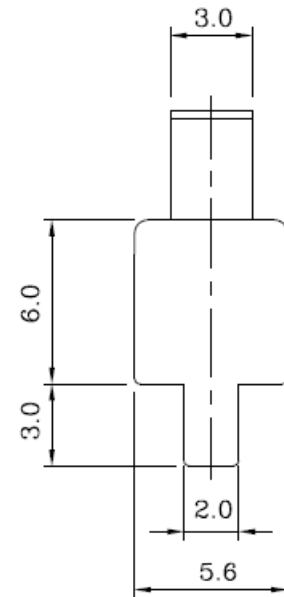
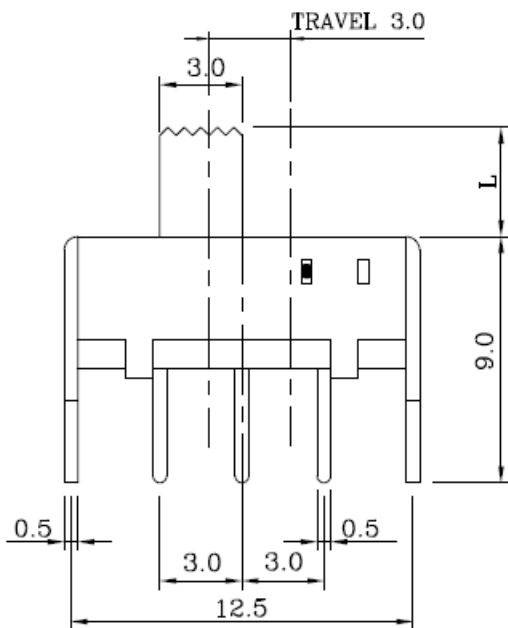


Data Sheet

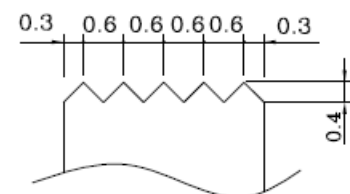
Slide Switch, DC 50V 0.3A , 1 x off / on



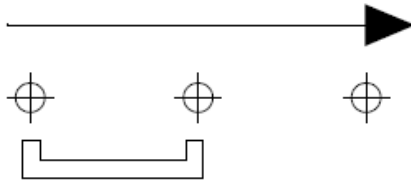
P.C.B LAY OUT



DETAIL OF KNOB



Data Sheet



CIRCUIT DIAGRAM

BN	KNOB(L=mm)
1569017	4
1570489	6

NOTE

1. CURCUIT : 1C - 2P
2. TIMING : NON SHORTING
3. TERMINAL : P.C. BOARD TERMINAL
4. TRAVEL : 3mm
5. RATING : DC 50V, 0.3A