

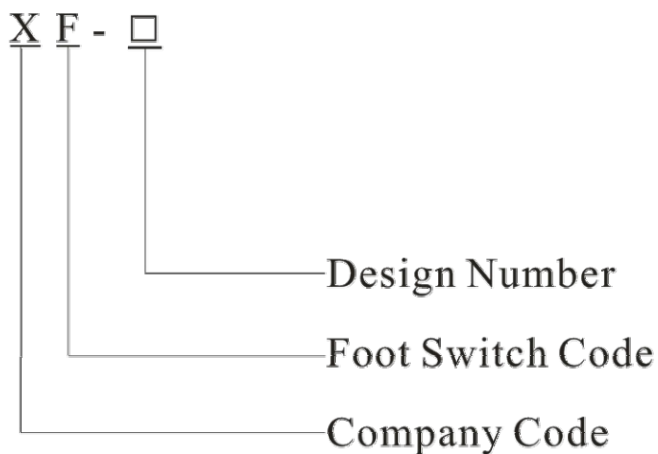
Data Sheet

Foot Switch

1. Features & Application

- Adopt metalshell, hard and strong in volume, stand wear and tear.
- Widely used in various of industrial machinery, just like industrial automationinstallment, transport, stamping, medical treatment, testing etc.

2. Model & Meanings

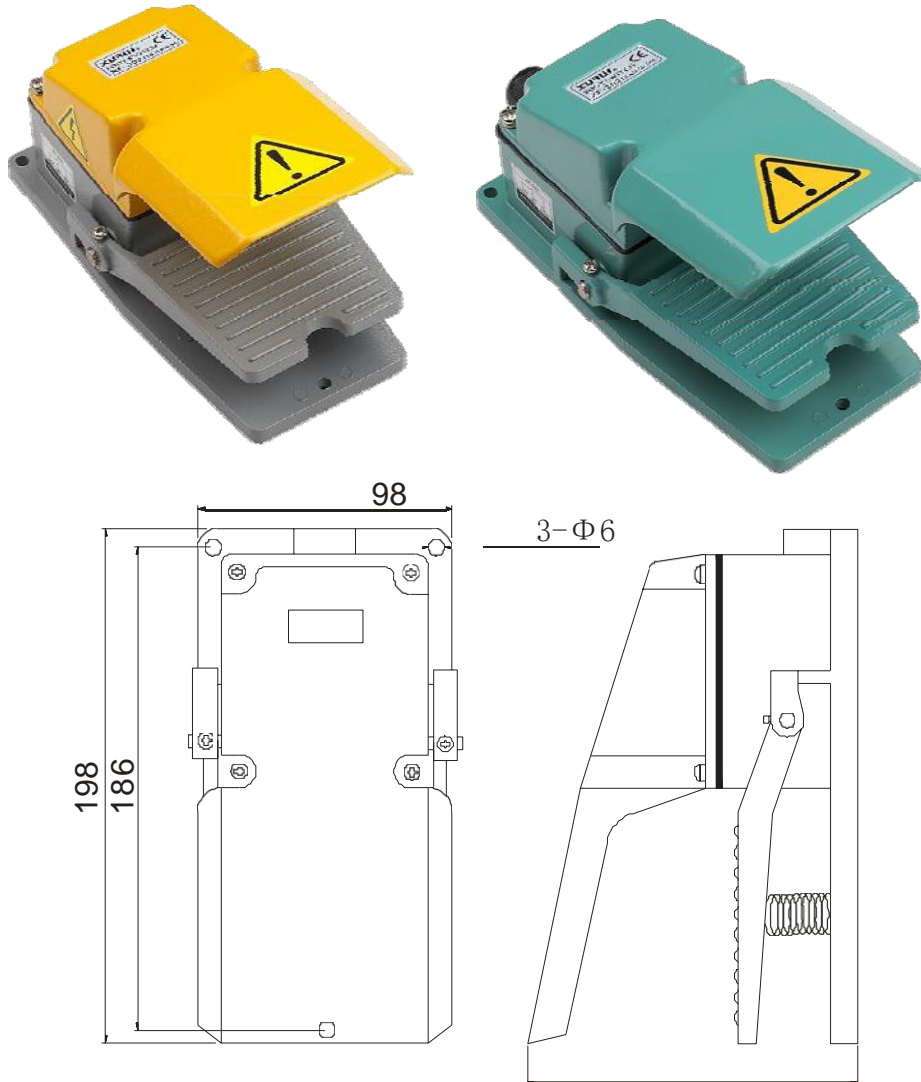


3. Technical specification

Item	Specification
Model Name	XF-302
Rating	15A 250VAC
Contact	1C
Operation type	Momentary
Switch position	1 x Off / (On)
Material of Rind	Aluminum
Insulation resistance	≥100MΩ
Contact resistance	≤25mΩ
Withstand voltage	2000VAC
Electrical life	≥100,000
Temperature	-25-75°C
Humidity	< 85%

Data Sheet

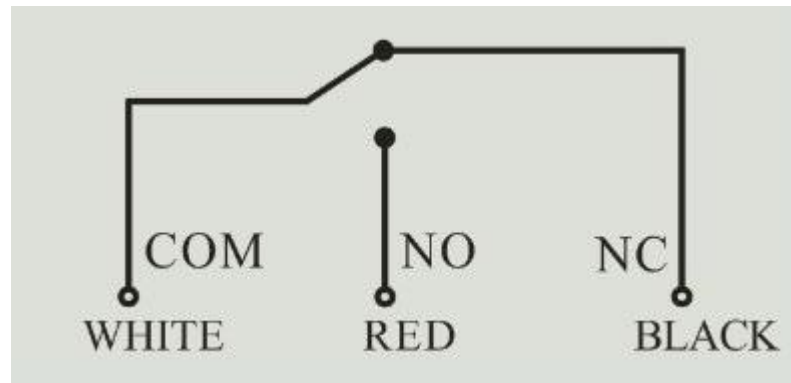
4. Outshape and mounting dimensions



Thread size: M20

Data Sheet

5. Connection Diagram



6. Certifications

CE,CCC,TUV

7. Tolerance:

Tolerance standard GB/T1804-m

>30-120/±0.3

>120-400/±0.5