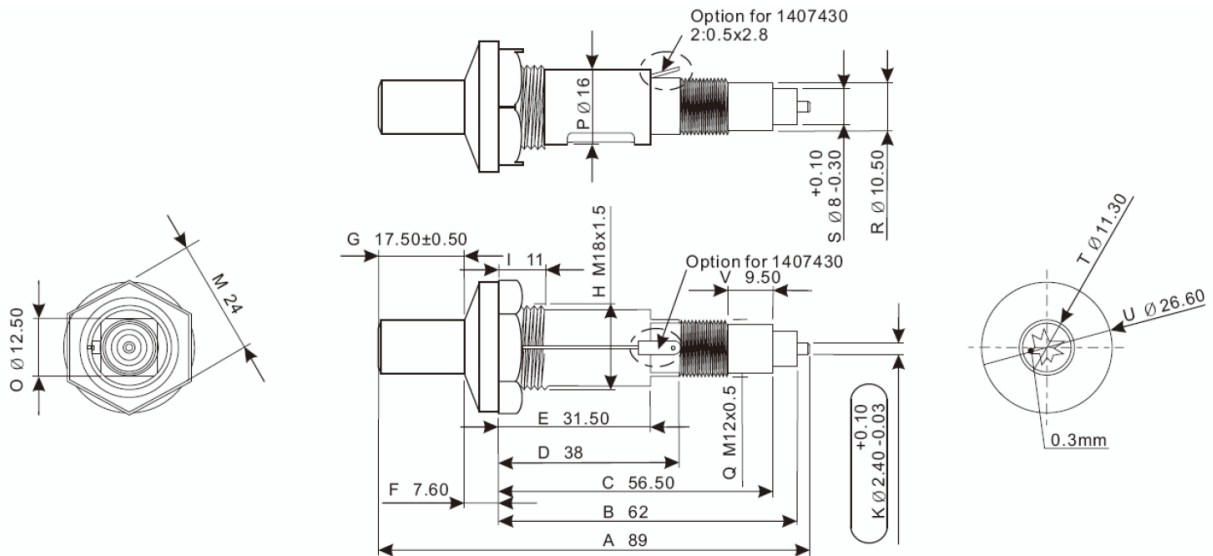


Data Sheet

Piezoelectricity Mechanism

BN 1570582

BN 1571178



Dimension: mm +/-0.5

Technical data

Output voltage	≥ 16KV
Weight	23.5g
Storage Temperature	-40 ~ +70°C
Operation Temperature	-10 ~ +60°C
Relative Humidity	< 95% RH