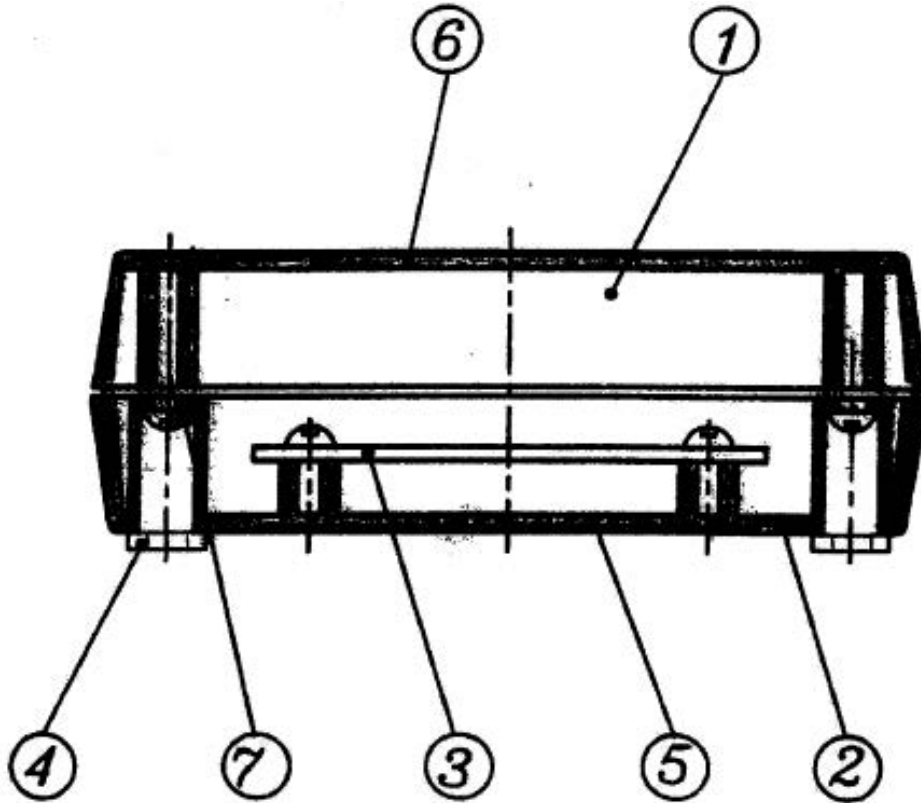


Datasheet

Item no. 1570653

V1_0817_01_en

Project Box (88 x 58 x 30 mm)



7	Self-tapping Screw	8		M4x10		
6	Label <small>(small)</small>	1		t=0.03		
5	Label <small>(big)</small>	1		t=0.03		
4	Rubber Pad	4	SBR(NITO NO 500)	Black t=2.5		
3	PCB	1	PF	t=1.6		
2	Base	1	ABS			
1	Top Cover	1	ABS			
No	Description	Q'ty	Material	Specification	Finish	Remark

This is a publication by Conrad Electronic SE, Klaus-Conrad-Str. 1, D-92240 Hirschau (www.conrad.com).

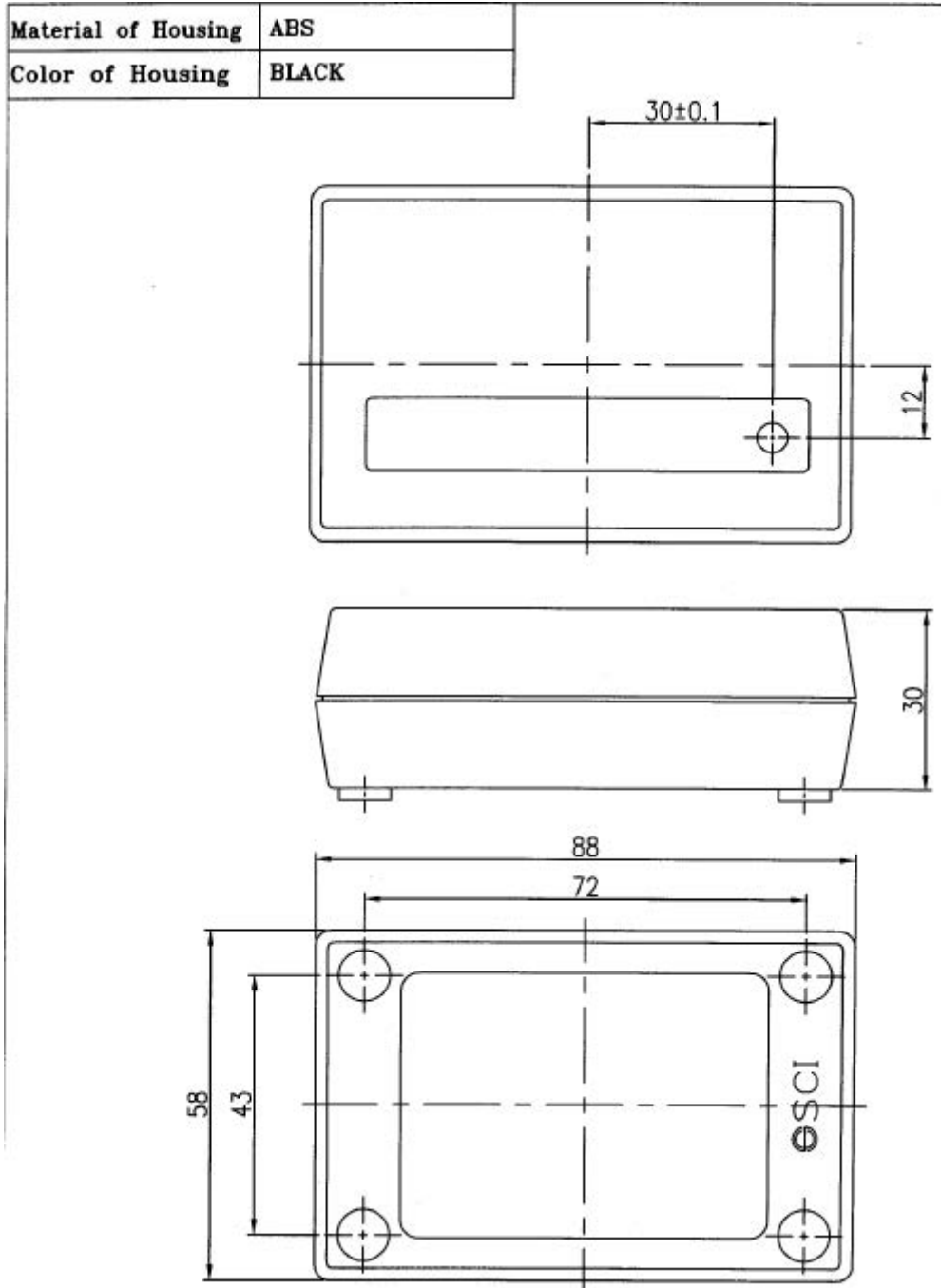
All rights including translation reserved. Reproduction by any method, e.g. photocopy, microfilming, or the capture in electronic data processing systems require the prior written approval by the editor. Reprinting, also in part, is prohibited. This publication represents the technical status at the time of printing.

© Copyright 2017 by Conrad Electronic SE.

Datasheet

Item no. 1566411

V1_0717_01_en

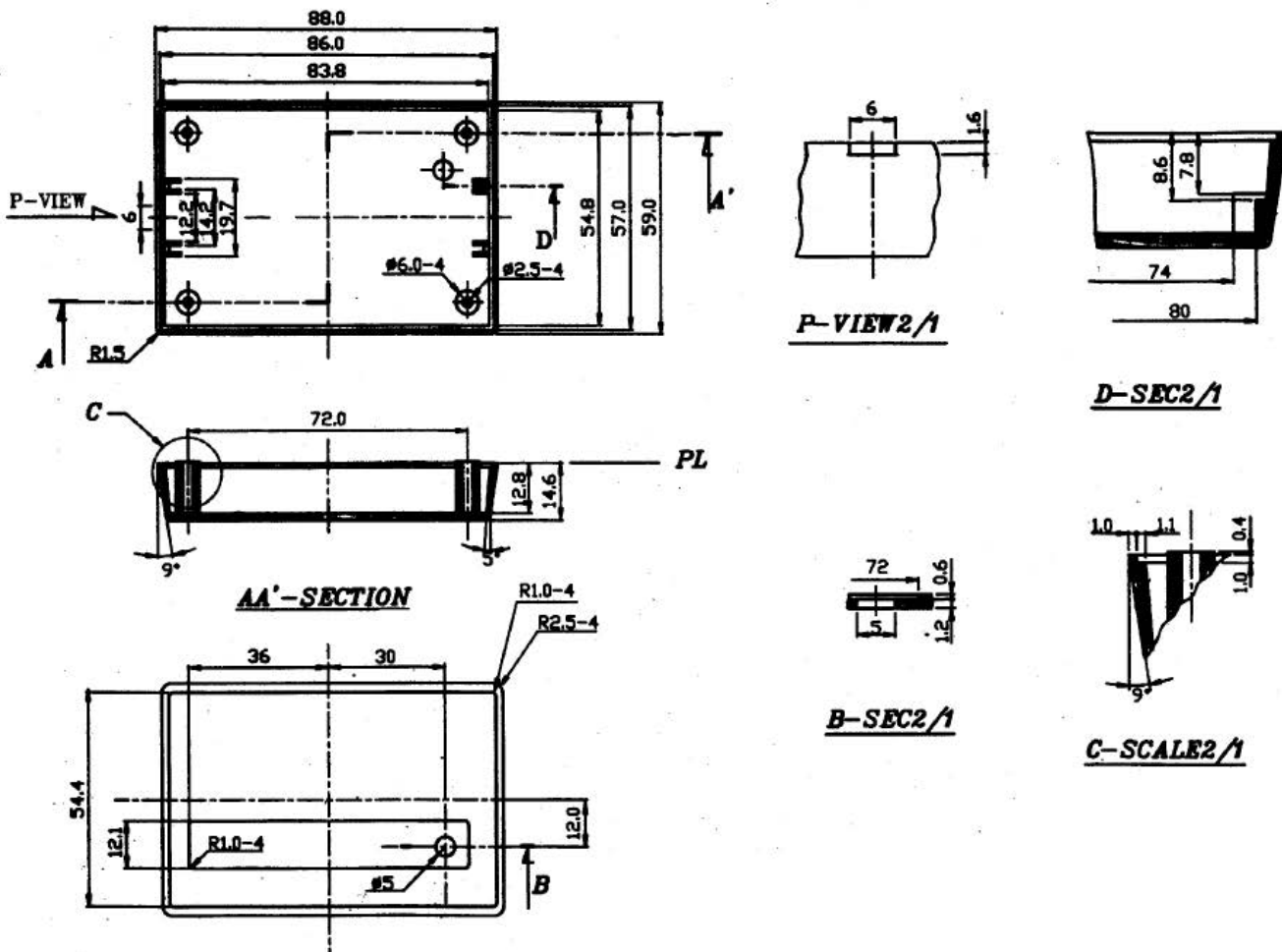


Unit: mm

This is a publication by Conrad Electronic SE, Klaus-Conrad-Str. 1, D-92240 Hirschau (www.conrad.com).

All rights including translation reserved. Reproduction by any method, e.g. photocopy, microfilming, or the capture in electronic data processing systems require the prior written approval by the editor. Reprinting, also in part, is prohibited. This publication represents the technical status at the time of printing.

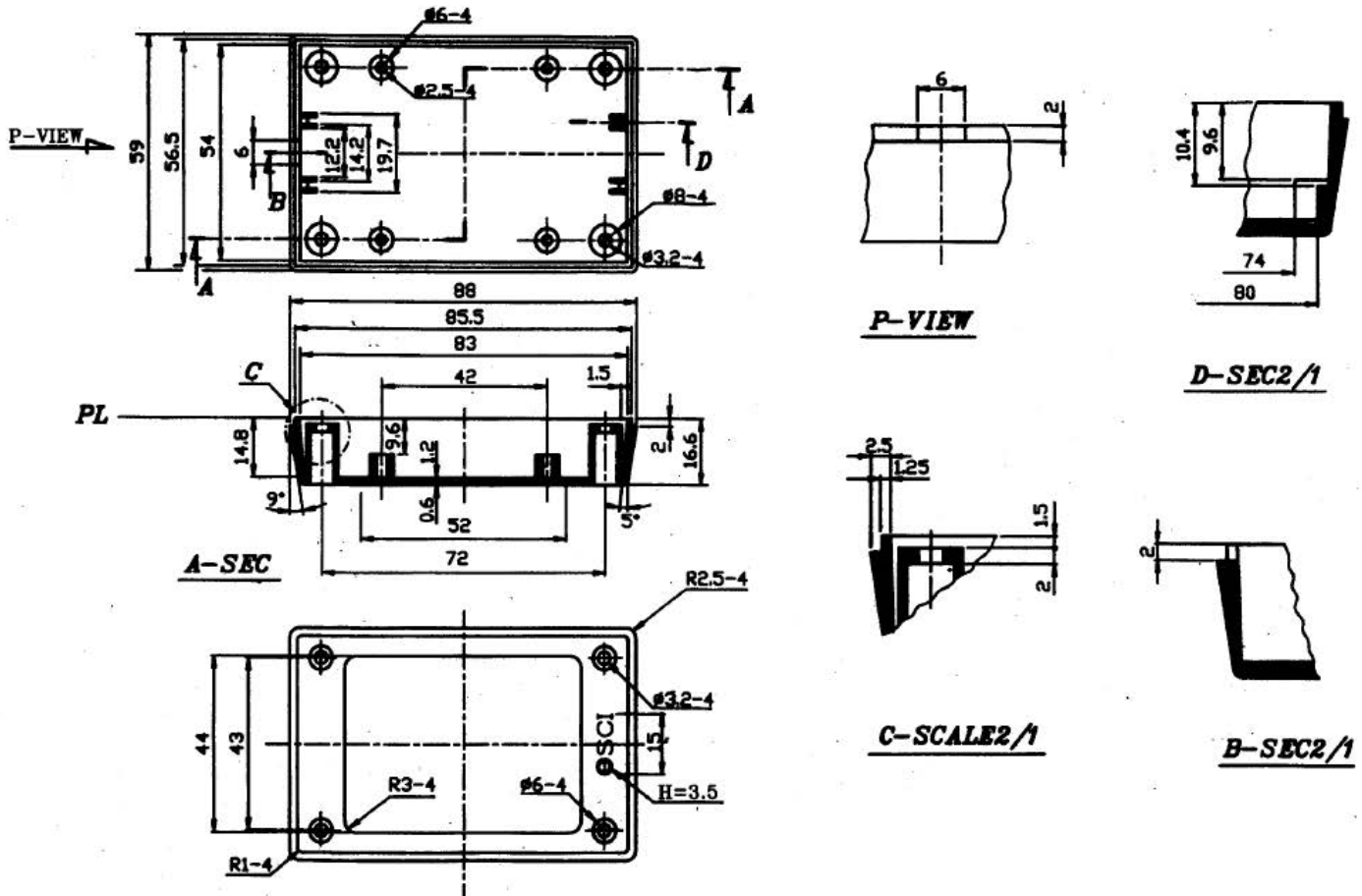
© Copyright 2017 by Conrad Electronic SE.



Unit: mm

1 No	Top Cover Description	1 Q'ty	ABS Material	t=1.8 Specification	Finish	Remark
---------	--------------------------	-----------	-----------------	------------------------	--------	--------

This is a publication by Conrad Electronic SE, Klaus-Conrad-Str. 1, D-92240 Hirschau (www.conrad.com).
 All rights including translation reserved. Reproduction by any method, e.g. photocopy, microfilming, or the capture in electronic data processing systems require the prior written approval by the editor. Reprinting, also in part, is prohibited. This publication represents the technical status at the time of printing.



No	Description	Q'ty	Material	Specification	Finish	Remark
2	Base	1	ABS			

This is a publication by Conrad Electronic SE, Klaus-Conrad-Str. 1, D-92240 Hirschau (www.conrad.com).

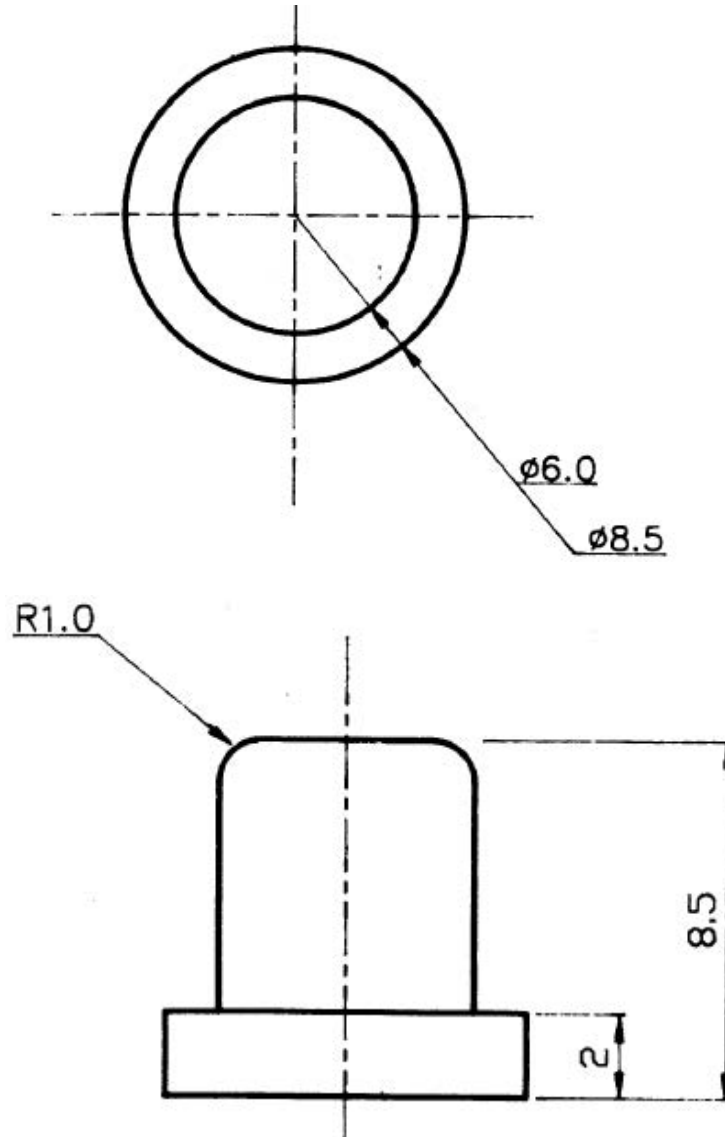
All rights including translation reserved. Reproduction by any method, e.g. photocopy, microfilming, or the capture in electronic data processing systems require the prior written approval by the editor. Reprinting, also in part, is prohibited. This publication represents the technical status at the time of printing.

© Copyright 2017 by Conrad Electronic SE.

Datasheet

Item no. 1570653

V1_0717_01_en



Unit: mm

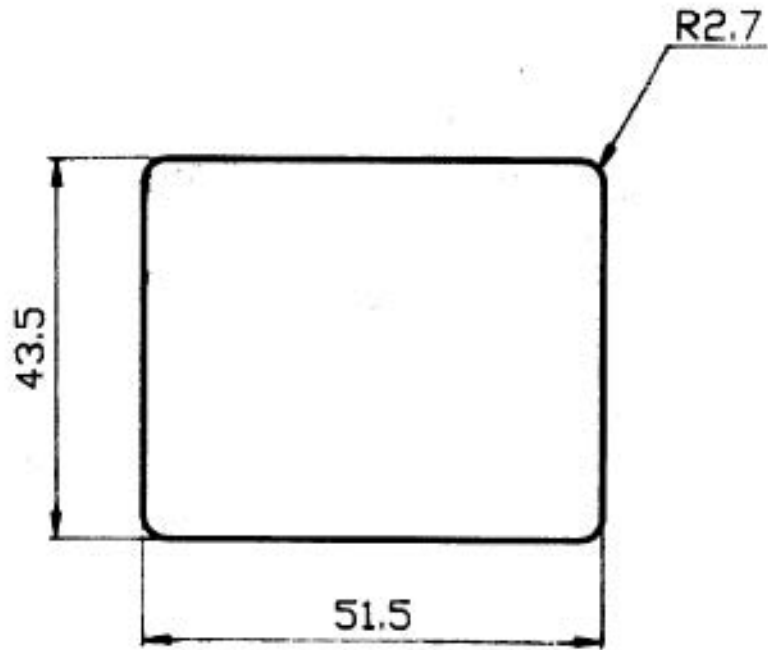
No	Description	Q'ty	Material	Specification	Finish	Remark
4	Rubber Pad	4	SBR(NITO NO 500)			

This is a publication by Conrad Electronic SE, Klaus-Conrad-Str. 1, D-92240 Hirschau (www.conrad.com).
 All rights including translation reserved. Reproduction by any method, e.g. photocopy, microfilming, or the capture in electronic data processing systems require the prior written approval by the editor. Reprinting, also in part, is prohibited. This publication represents the technical status at the time of printing.

Datasheet

Item no. 1570653

V1_0817_01_en



Unit: mm

No	Description	Q'ty	Material	Specification	Finish	Remark
5	Label(big)	1		t=0.03		

This is a publication by Conrad Electronic SE, Klaus-Conrad-Str. 1, D-92240 Hirschau (www.conrad.com).

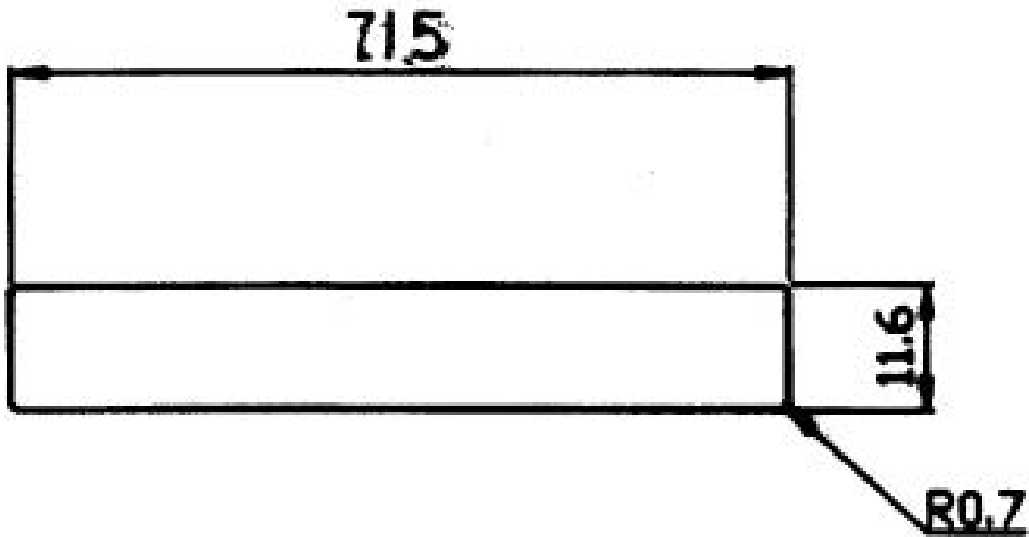
All rights including translation reserved. Reproduction by any method, e.g. photocopy, microfilming, or the capture in electronic data processing systems require the prior written approval by the editor. Reprinting, also in part, is prohibited. This publication represents the technical status at the time of printing.

© Copyright 2017 by Conrad Electronic SE.

Datasheet

Item no. 1570653

V1_0817_01_en



Unit: mm

No	Label(small) Description	Q'ty	Material	t=0.03 Specification	Finish	Remark
6	Label(small)	1		t=0.03		

This is a publication by Conrad Electronic SE, Klaus-Conrad-Str. 1, D-92240 Hirschau (www.conrad.com).

All rights including translation reserved. Reproduction by any method, e.g. photocopy, microfilming, or the capture in electronic data processing systems require the prior written approval by the editor. Reprinting, also in part, is prohibited. This publication represents the technical status at the time of printing.

© Copyright 2017 by Conrad Electronic SE.