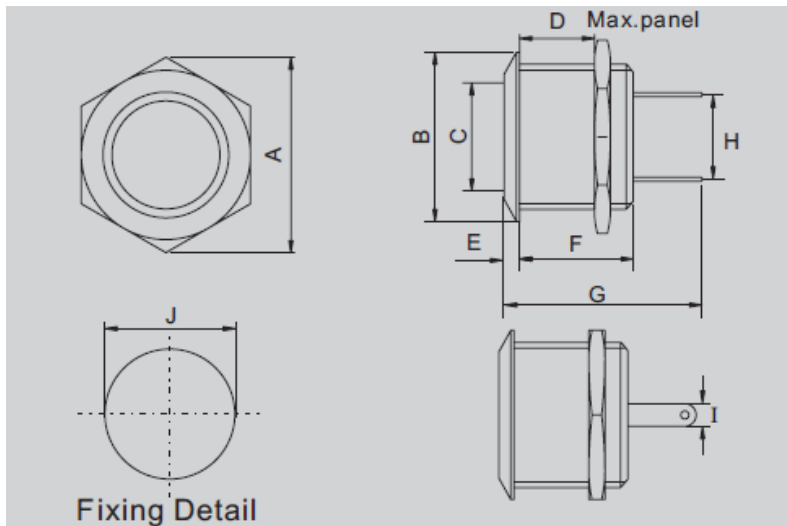


Datasheet

Item no. 1570794

V1_04122018_01_en



A	34.4
B	∅27.0
C	∅18.0
D	13.0
E	1.9
F	14.1
G	25
H	13.2
I	2.8
J	∅24.2

SPECIFICATION:

- | | |
|--------------------------------|--------------------------|
| 1. Terminations : | solder tags |
| 2. Max. rating : | 5mA 12V DC |
| 3. Initial contact resistance: | 1KΩ Max. |
| 4. Operating temp. range : | -20°C ~ +70°C |
| 5. Materials | |
| tags/terminals: | brass,tin plated |
| switch body & button: | stainless steel |
| 6. Operating life(5mA 5V DC): | 1X10 ⁵ cycles |
| 7. Trave(mm): | 2.0 |

This is a publication by Conrad Electronic SE, Klaus-Conrad-Str. 1, D-92240 Hirschau (www.conrad.com).

All rights including translation reserved. Reproduction by any method, e.g. photocopy, microfilming, or the capture in electronic data processing systems require the prior written approval by the editor. Reprinting, also in part, is prohibited. This publication represents the technical status at the time of printing.