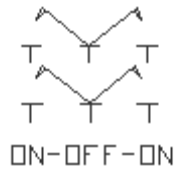
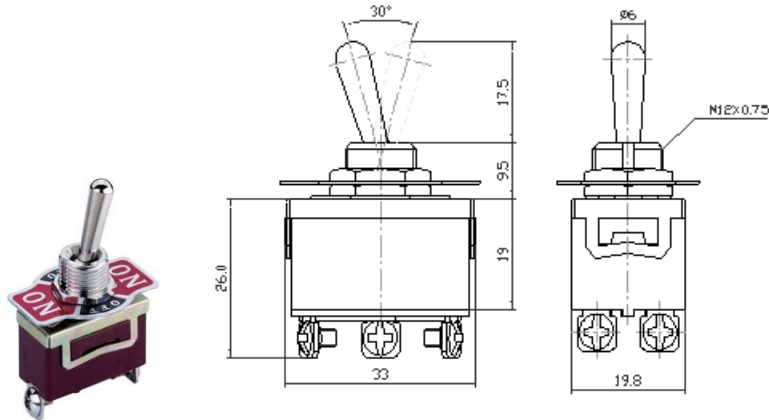


Datasheet

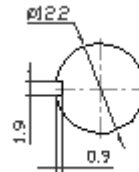
Item no. 1570800

V1_08302018_01_en

Toggle Switch, 15A/125V, 10A/250V



Mounting



Circuitry

Rating:	15A@125V ac; 10A@250V ac
Contact Resistance:	50MΩ max
Insulation Resistance:	500V dc 1000MΩ/ minute
Dielectric Strength:	1500V ac 1 minute
Cable Standard:	3 x 0.75 mm ²
Operating Temperature:	-25°C to 85°C
Electrical Life:	10,000 Cycles