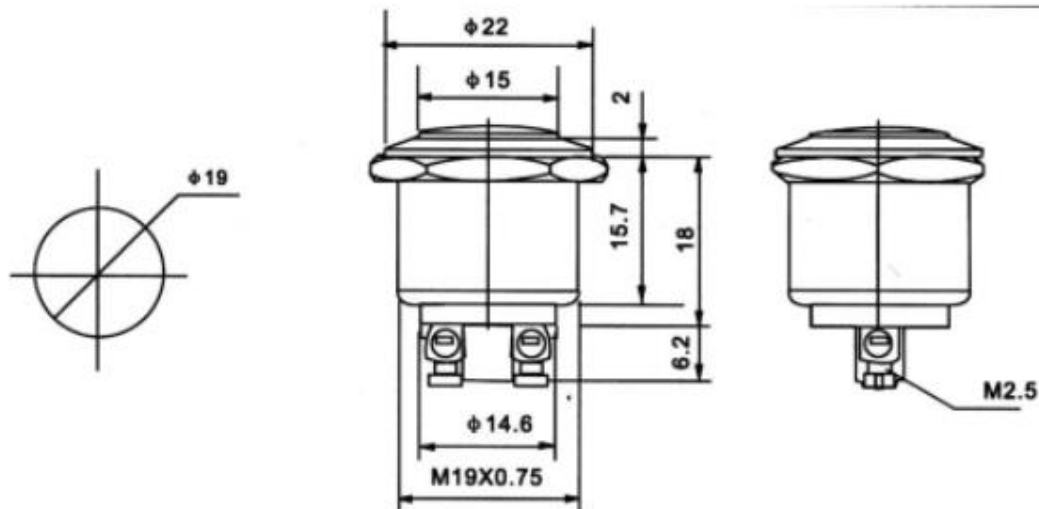


Data Sheet

Thermal protector with 70 mm wire lead, 60 °C



Mounting diameter: 19 mm

Operation type: Momentary

Switching rating: 2 A / 250 VAC

Terminal: Screw

Contact resistance: 20 mΩ

Dielectric strength: 1000 V/AC, 60s

Base material: Brass

Lifespan: 50,000 cycles