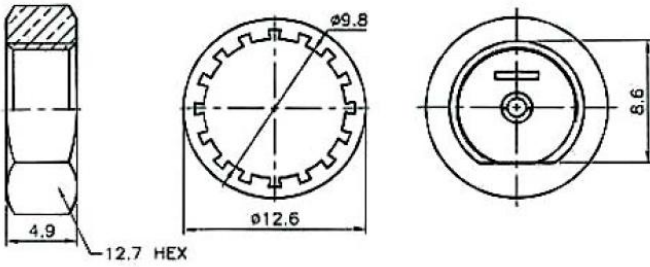
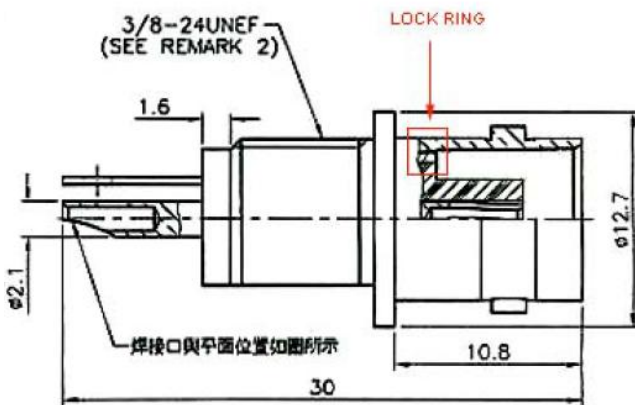


## BNC Isolated Bulkhead Recept Jack (50 Ω)



- NOTES: FINISH (PLATING THICKNESS IN MICRO-INCHES)
1. BRASS PER QQ-B-626
  2. NICKEL PL 70 MIN THICK OVER COPPER STRIKE
  3. GOLD PL 3 MIN OVER NICKEL PL 70 MIN THICK OVER COPPER STRIKE
  4. PHOSPHOR BRONZE PER QQ-B-750
  5. BRASS JIS H 3100,C 2680



1. MAX. PANEL THICKNESS = 2.4 mm



- Remark: 1. Recommended Torque Wrench of 5kg-cm  
2. Withstanding Torque Force 20kg-cm MIN

NO.	DESCRIPTION	MATERIAL	FINISH	QTY	DRAWING NO.	SCALE	3/1	ISSUE	A1
	NUT	NOTE 1	NOTE 2			DIMENSIONS ARE IN MILLIMETERS			
	WASHER	SS41	NOTE 2			UNLESS OTHERWISE SPECIFIED TOLERANCES (-公差)			
	CONTACT PIN	NOTE 4	NOTE 3			0.5~6 = ±0.2			
	INSULATOR	ABS	WHITE			>6~30 = ±0.4			
	LOCK RING	NOTE 1	NOTE 2			>30~120 = ±0.8			
	GROUNDING TAG	NOTE 5	NOTE 2			>120~315 = ±1			
	BODY	NOTE 1	NOTE 2			>315~1000 = ±1.6			
						ANGLES(角度) = ±5°			

Update no.: 7069YS501FU003B