

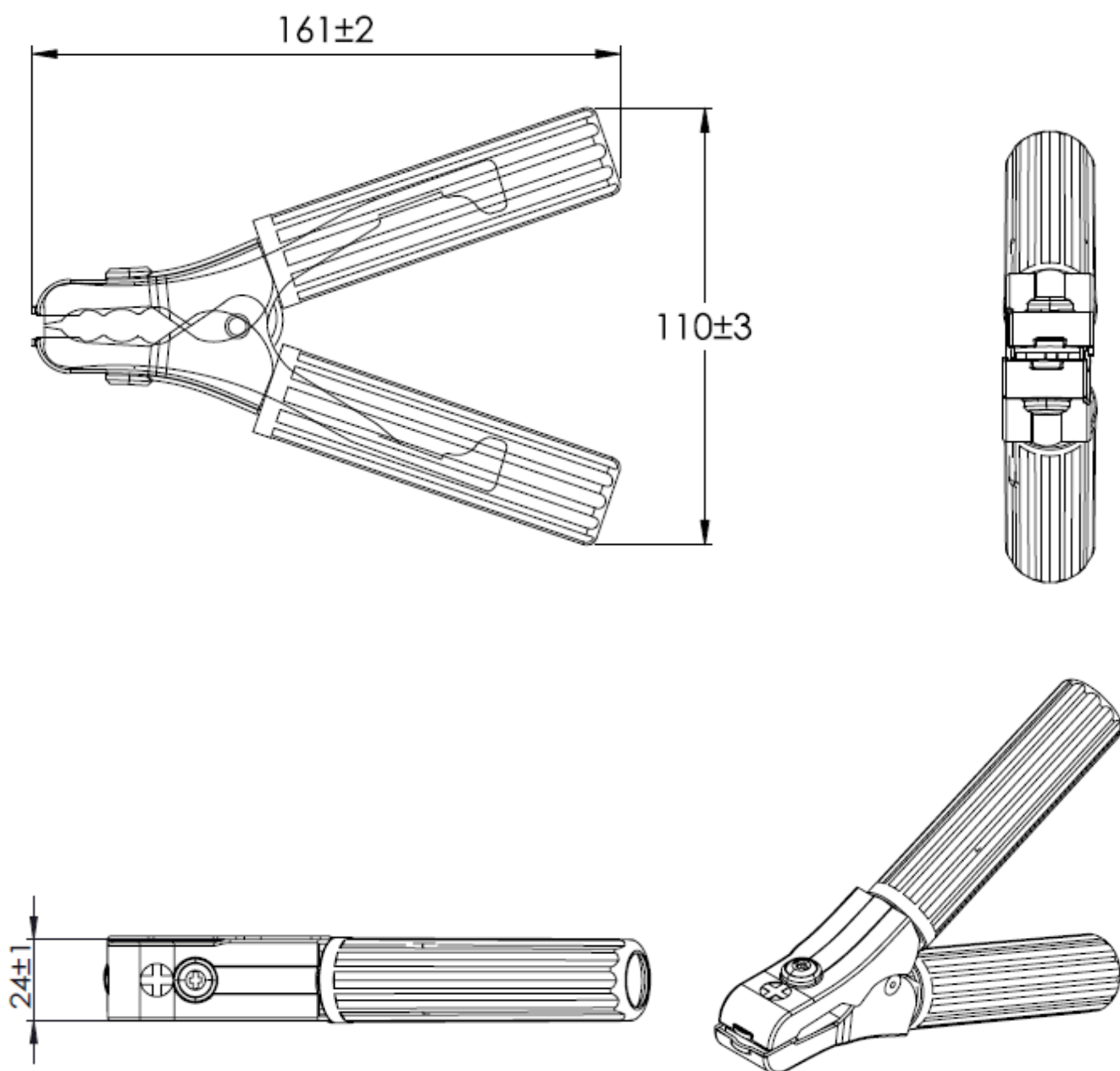


Datasheet – TRU Components

Item no.: 1570813 – red / 1570814 - black



Jump lead clamp



Color:	Red – B/N 1570813 Black – B/N 1570814
Length / opening distance:	130 mm / 98 mm
Current:	1000 A
Voltage:	30 V
Material (metal):	Copper
Material (plastic):	PE
Recommended cable size:	< 50 mm ²