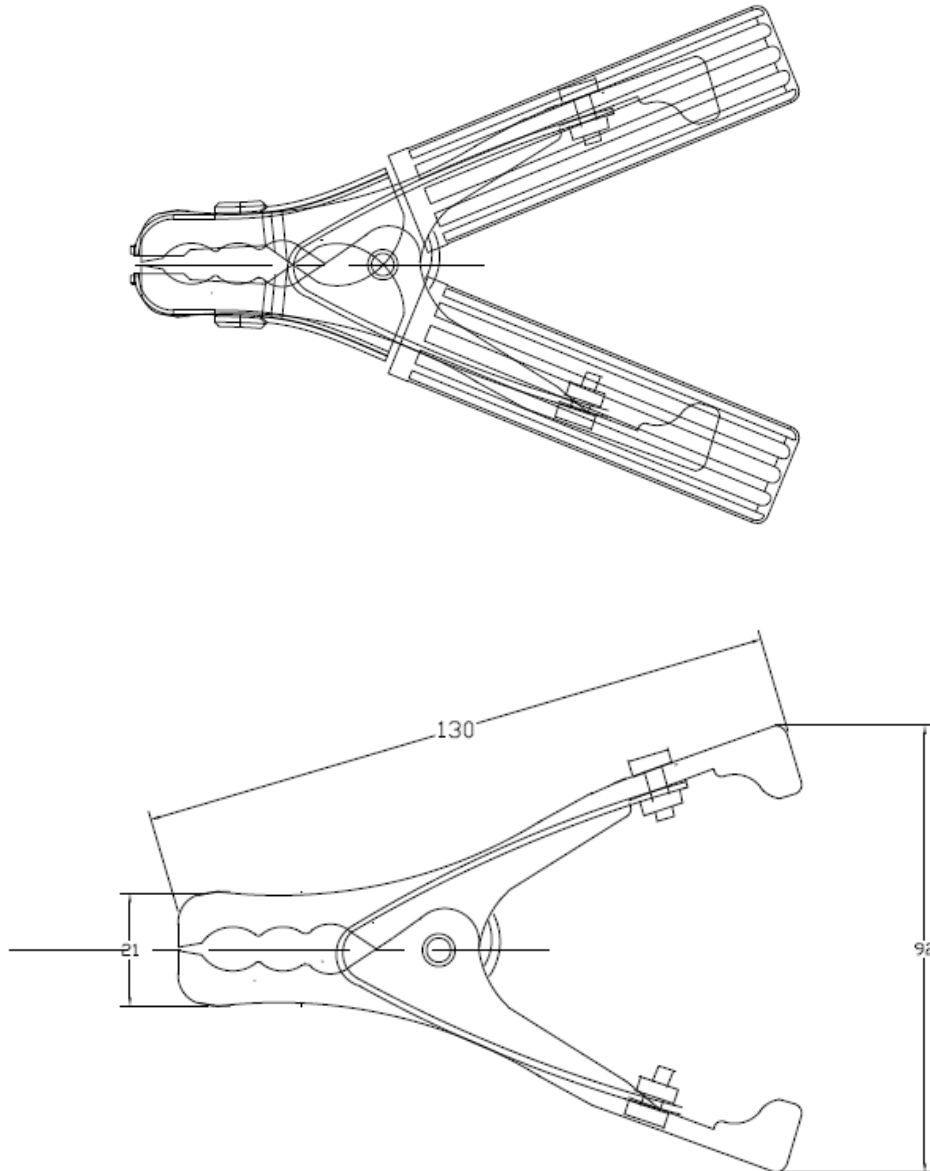


## Data Sheet

---

Load plier (black)



Contact:	brass
Rated current:	1000 A
Nominal voltage:	30 V DC
Cable cross-section:	with 6 mm screw and self-locking nut up to 50 mm <sup>2</sup>