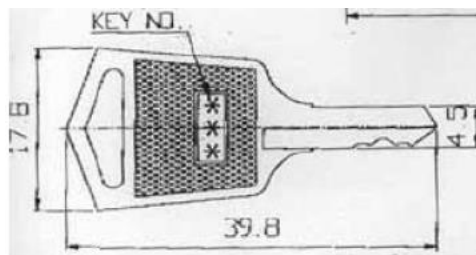
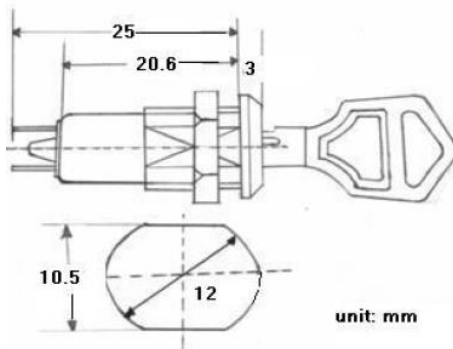


Data Sheet

Key switch with 2 keys



Material: Key: Copper

Lock: Zinc Alloy

Coating: Key: Ni

Lock: Ni