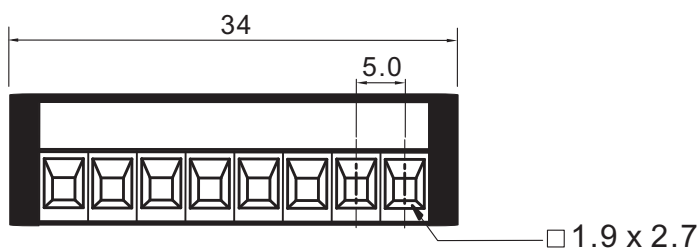
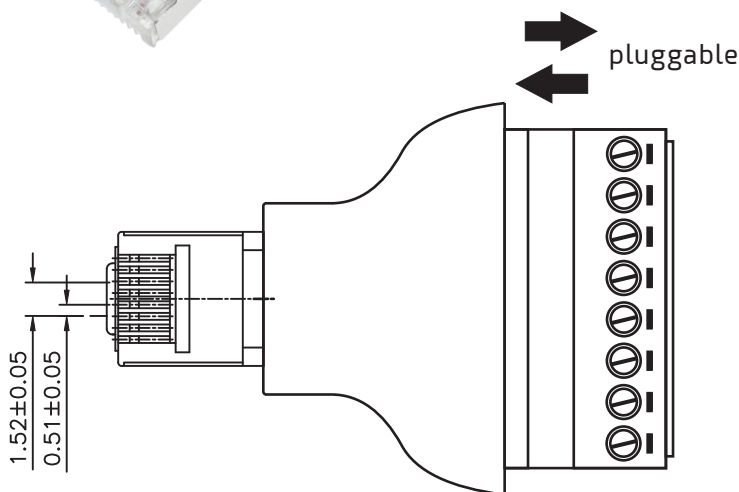
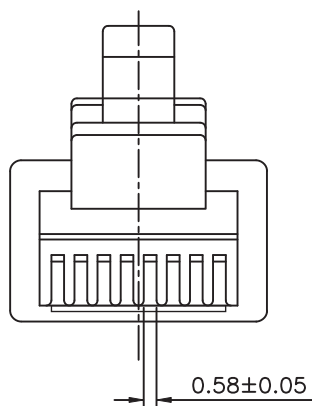


RJ45 Terminal Adaptor



Technical Data:

Electrical:

- Voltage rating: 12VDC
- Current rating: 1.5A
- Contact resistance: 50mΩ max.
- Insulation resistance: 1000MΩ / 500VDC
- Wire range: 26-12AWG

Mechanical:

- Torque: 0.5Nm (4.4lb/in)
- Operating temperature: -40°C to 105°C
- Strip length: 7mm

Connect information

RJ plug	Terminal
8	8
7	7
6	6
5	1
4	2
3	5
2	4
1	3

