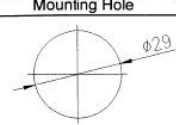
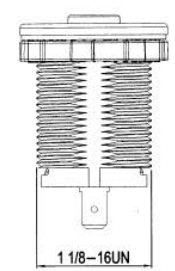
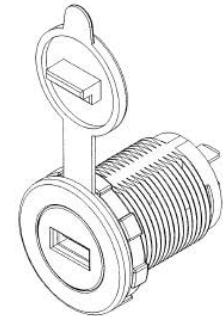


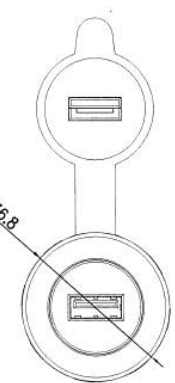
USB socket with protective cap

	<table border="1" style="width: 100%; border-collapse: collapse;"> <tr> <td style="width: 20%;">Rating</td> <td>Input: 12V/24 DC Output: 5V DC 2.1A max.</td> </tr> <tr> <td>Insulation Resistance</td> <td>DC 500V 100MΩ Min.</td> </tr> <tr> <td>Dielectric Strength</td> <td>AC 1500V 1 minute</td> </tr> <tr> <td>Operating Temperature</td> <td>-20°C~60°C</td> </tr> </table>	Rating	Input: 12V/24 DC Output: 5V DC 2.1A max.	Insulation Resistance	DC 500V 100MΩ Min.	Dielectric Strength	AC 1500V 1 minute	Operating Temperature	-20°C~60°C	<p>Mounting Hole</p> 
Rating	Input: 12V/24 DC Output: 5V DC 2.1A max.									
Insulation Resistance	DC 500V 100MΩ Min.									
Dielectric Strength	AC 1500V 1 minute									
Operating Temperature	-20°C~60°C									

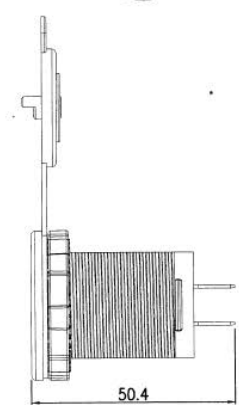


1 1/8-16UN

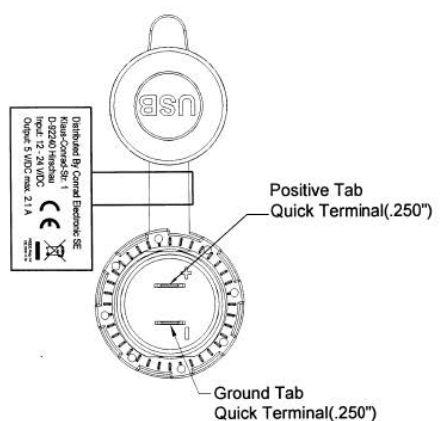




ø36.8



50.4



Positive Tab Quick Terminal(.250")

Ground Tab Quick Terminal(.250")

Distributed By Conrad Electronic SE
 D1571069
 Input: 12-24VDC
 Output: 5VDC max. 2.1A
 CE
 RoHS

Tolerances ±0.3 Unless Otherwise Specified

Unit mm

This is a publication by Conrad Electronic SE, Klaus-Conrad-Str. 1, D-92240 Hirschau (www.conrad.com).

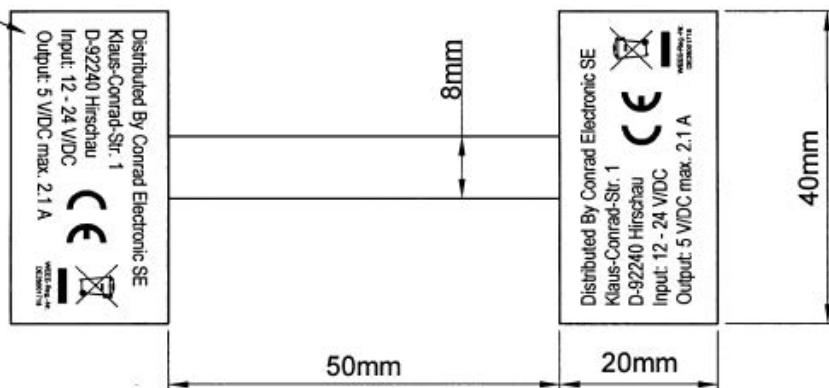
All rights including translation reserved. Reproduction by any method, e.g. photocopy, microfilming, or the capture in electronic data processing systems require the prior written approval by the editor. Reprinting, also in part, is prohibited. This publication represents the technical status at the time of printing.

© Copyright 2017 by Conrad Electronic SE.

USB socket with protective cap



Letter Type: Ariel narrow



1:1

Unit mm

This is a publication by Conrad Electronic SE, Klaus-Conrad-Str. 1, D-92240 Hirschau (www.conrad.com).

All rights including translation reserved. Reproduction by any method, e.g. photocopy, microfilming, or the capture in electronic data processing systems require the prior written approval by the editor. Reprinting, also in part, is prohibited. This publication represents the technical status at the time of printing.

© Copyright 2017 by Conrad Electronic SE.