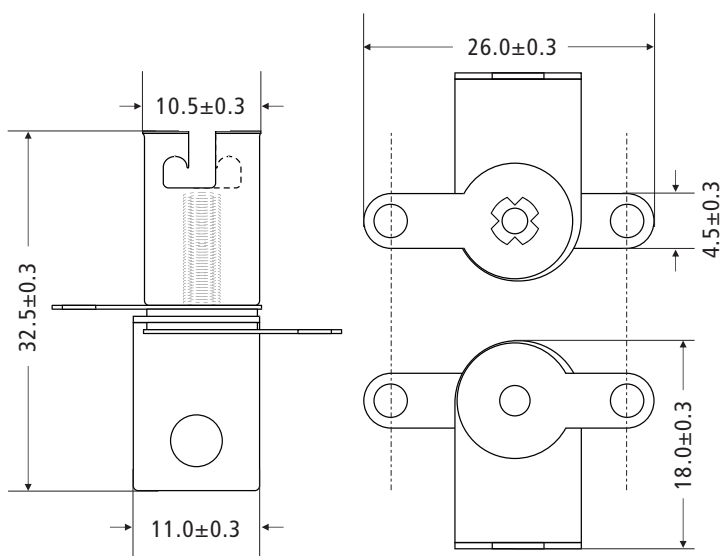
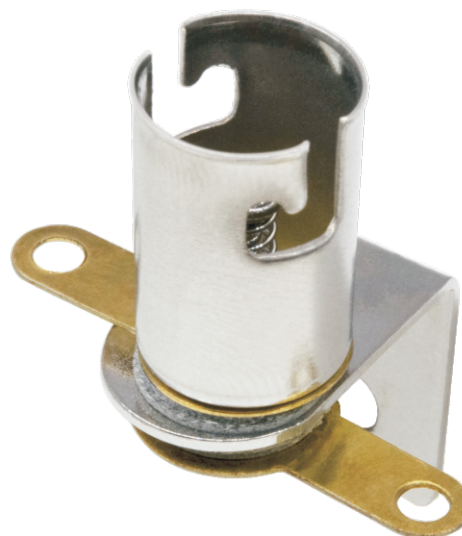
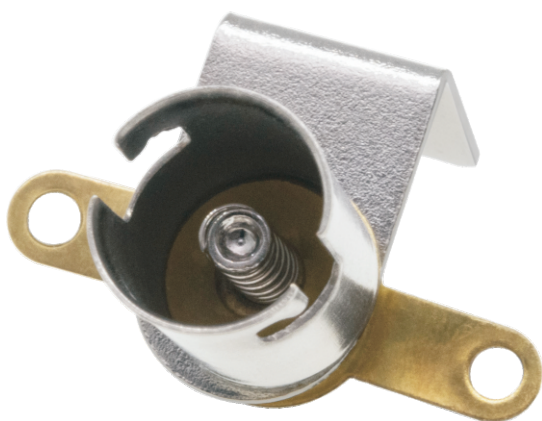


BA9s Lamp Bulb Socket



Specification

Lamp bulb type: BA9s
Material: Brass
Plating: Nickel
Voltage rating: 24V (DC)
Current rating: 3A max.
Operating temperature: -10 to 105°C
Operation humidity: $>85\%RH$
Storage temperature: -10 to 85°C
Operation humidity: $>95\%RH$