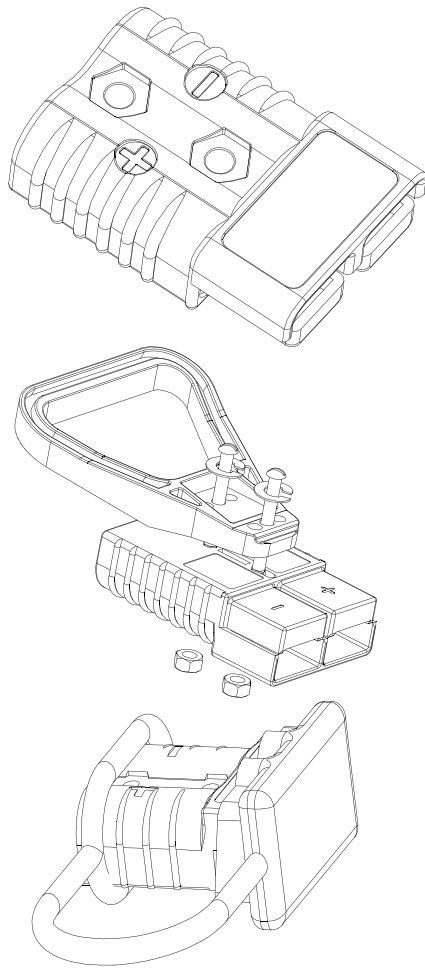


Data Sheet

175Amp High Current Power Connectors



FEATURES & BENEFITS

- Genderless Housings

Provide simplified assembly and minimize the number of components

- Low Resistance Connection

Silver or tin plated copper contacts inside housings that strongly force the contacts together

- Hot Plugging AC or DC

Contacts feature a sacrificial tip that allows high current circuit interrupt

- Keyed & Color Coded Housings

Prevents accidental cross mating of circuits

- Self Securing Design

Stainless steel springs create a robust force between the contacts that holds the connector in the mated position

- Auxiliary or Ground Positions

For signal transmission or the added safety of a primate ground position

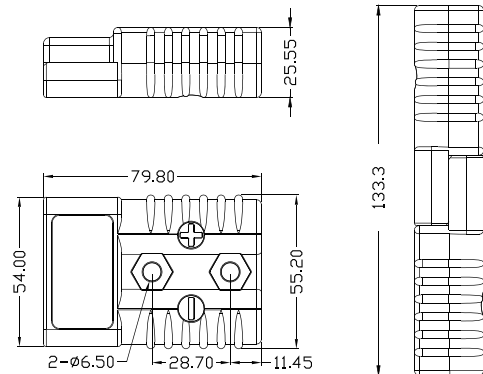
Product specifications

Rated Current (Amperes)	175A
Rated Voltage (Voltage)	600V
Contact Barrel Wire Size (AWG)	1/0 2/4AWG (53.5mm ² –33.6/21.2mm ²)
Average contact resistance	0.05M Ω
Voltage proof	2200V (DC)
Insulation resistance	500M Ω
A. No load (Contact/Disconnect Cycles)	To10,000
B. Under Load (Hot Plug 250 cycles@120V)	75A
Average Unmating Force	110N
Flammability Rating of Housing Material	UL94 V-0
Operating temperature range	-20° to 125°
Contact material	Copper\Plating Silver

Data Sheet

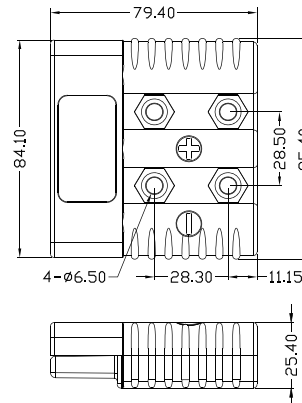
Housings

Best-Nr.	Model no.	Color	Voltage
1571630	SH940	Gray	36V
1568159	SH941	Blue	48V
1571095	SH942	Orange	18V
1571094	SH943	Yellow	12V
1571093	SH949	RED	24V



3 Pole Housing

Best-Nr.	Model no.	Color	Voltage
N/A	SH902	Gray	36V



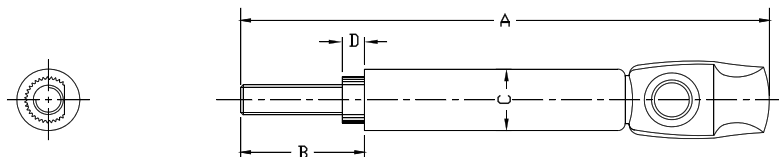
Terminal

Best-Nr.	Model no.	-A- (mm)	-B- (mm)	-C-(mm)	-D-(mm)	-E-(mm)	Wire(AWG\mm ²)
1570749	SH1382	56.0	13.1	11.1	27.5	13.6	1\0AWG\53.5 mm ²
1570756	SH1383	56.0	13.1	8.9	27.5	13.6	2AWG\33.6 mm ²
1571631	SH1384	56.0	13.1	7.6	27.5	13.6	4AWG\21.1 mm ²



PCB Terminal

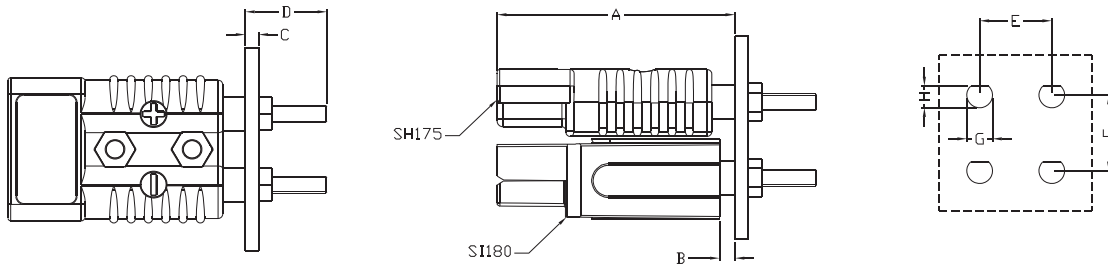
Best-Nr.	Model no.	-A- (mm)	-B- (mm)	-C-(mm)	-D-(mm)	Wire(AWG\mm ²)
N/A	SH180BBS	109	25.5	13.0	1.6	#1/4-20THD



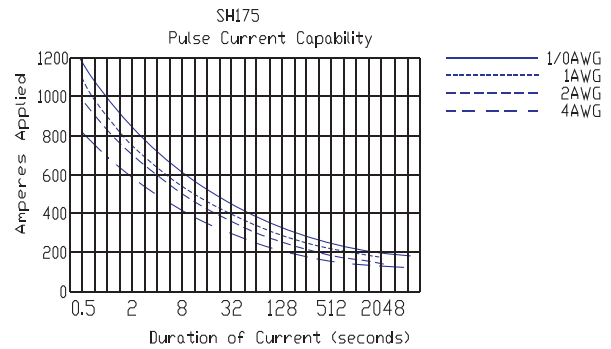
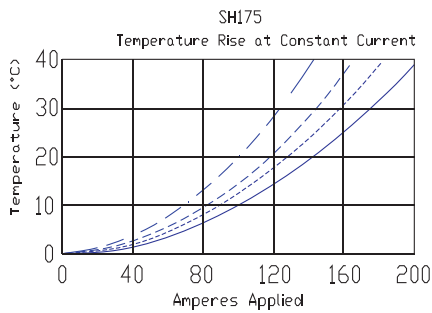
Bus Bar Mounting Table

Best-Nr.	Model no.	-A- (mm)	-B- (mm)	-C-(mm)	-D-(mm)	-E-(mm)	-F-(mm)	-G-(mm)	-H-(mm)
N/A	SH181BBS	88.14	5.6/8.6	4.95~19.05	25.4	26.8	28.6	9.53	8.2

Data Sheet

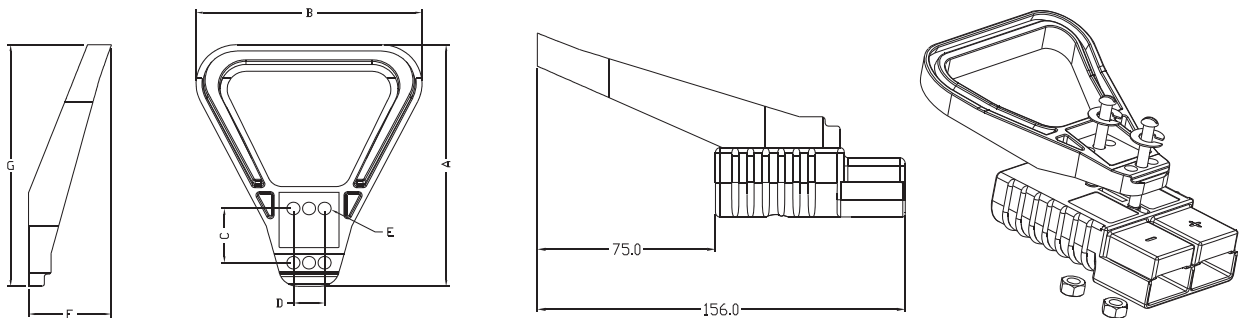


Temperature rise charts



Handle

Best-Nr.	Model no.	-A- (mm)	-B- (mm)	-C-(mm)	-D-(mm)	-E-(mm)	-F-(mm)	-G-(mm)	Color
N/A	SH995G3	123.8	114.3	28.6	15.8	6.6	41.6	127	RED
N/A	SH995G1	123.8	114.3	28.6	15.8	6.6	41.6	127	Gray



Dust cover

Best-Nr.	Model no.	-A- (mm)	-B- (mm)	-C-(mm)	Colour
1570750	SH134G2	69.0	86.4	38.1	RED

