

Data Sheet

Circuit breaker RCCB

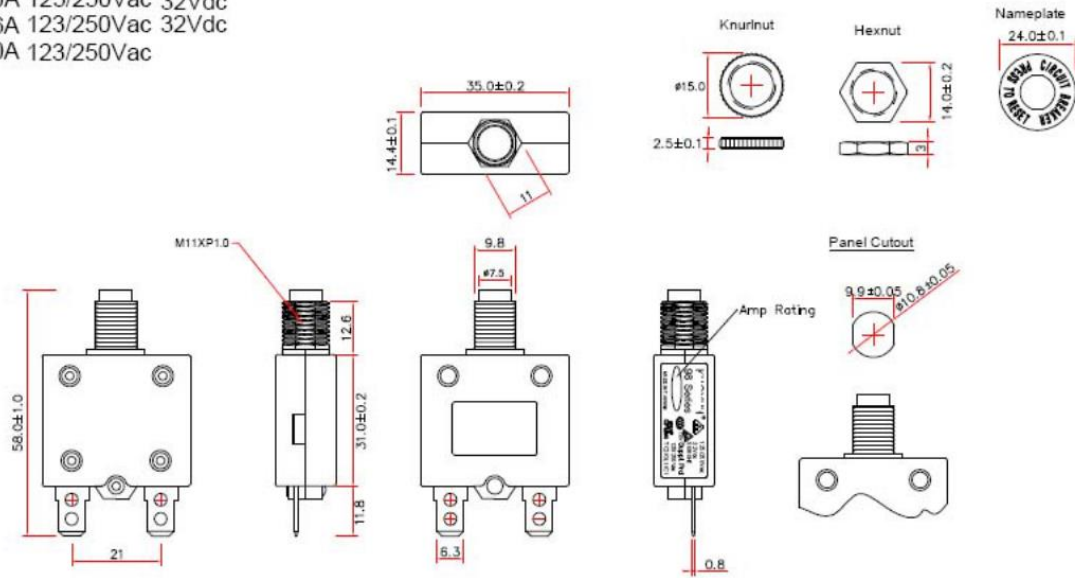


Technical data

Height	35 mm
Width	35 mm
Switching current (max.)	10 A
Nominal current (details)	10 A

Data Sheet

UL 3A-30A 125/250Vac
 cUL 3A-30A 125/250Vac
 TuV 3A-30A 125/250Vac 32Vdc
 VED 3A-16A 123/250Vac 32Vdc
 CCC 5A-30A 123/250Vac



TOLERANCE	
DIMENSION	TOLERANCE
XX.XX	±0.05
XX.X	±0.1
XX	±0.15
ANGLE	TOLERANCE
X	±1°
X.X	±0.5°