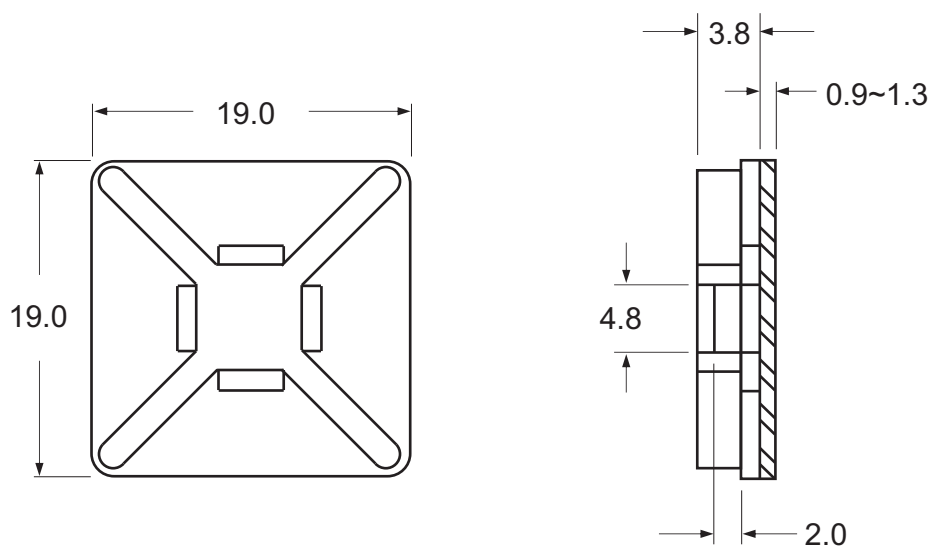


Self Adhesive Cable-Tie Mount



SPECIFICATION

| | |
|---------------|---------------|
| MATERIAL | : NYLON 94V-2 |
| COLOR | : NATURAL |
| ADHESIVE TYPE | : 3M |
| TOLERANCE | : ± 0.2 |

This is a publication by Conrad Electronic SE, Klaus-Conrad-Str. 1, D-92240 Hirschau (www.conrad.com).

All rights including translation reserved. Reproduction by any method, e.g. photocopy, microfilming, or the capture in electronic data processing systems require the prior written approval by the editor. Reprinting, also in part, is prohibited. This data represent the technical status at the time of printing. Changes in technology and equipment reserved.

© Copyright 2017 by Conrad Electronic SE.