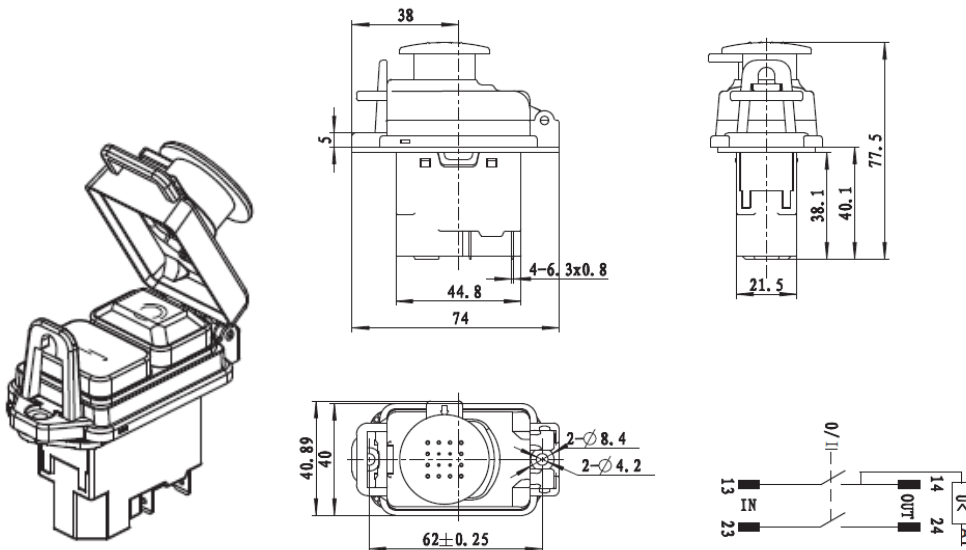


## Data Sheet

### Electromagnetic Switch



#### Technical data

Casing / button color: Red, Yellow

Functions: latch

Lighting type: none

Switch position: 1 x Off/ On

Material: plastic

Connection: Type C CEE 7/16 plug 6.3mm

Switching voltage: 250V/AC

Switching current (max.): 18A

Rated frequency: 50/60Hz

Min. Temperature: 0°C

Operation Temperature: 0°C -55°C