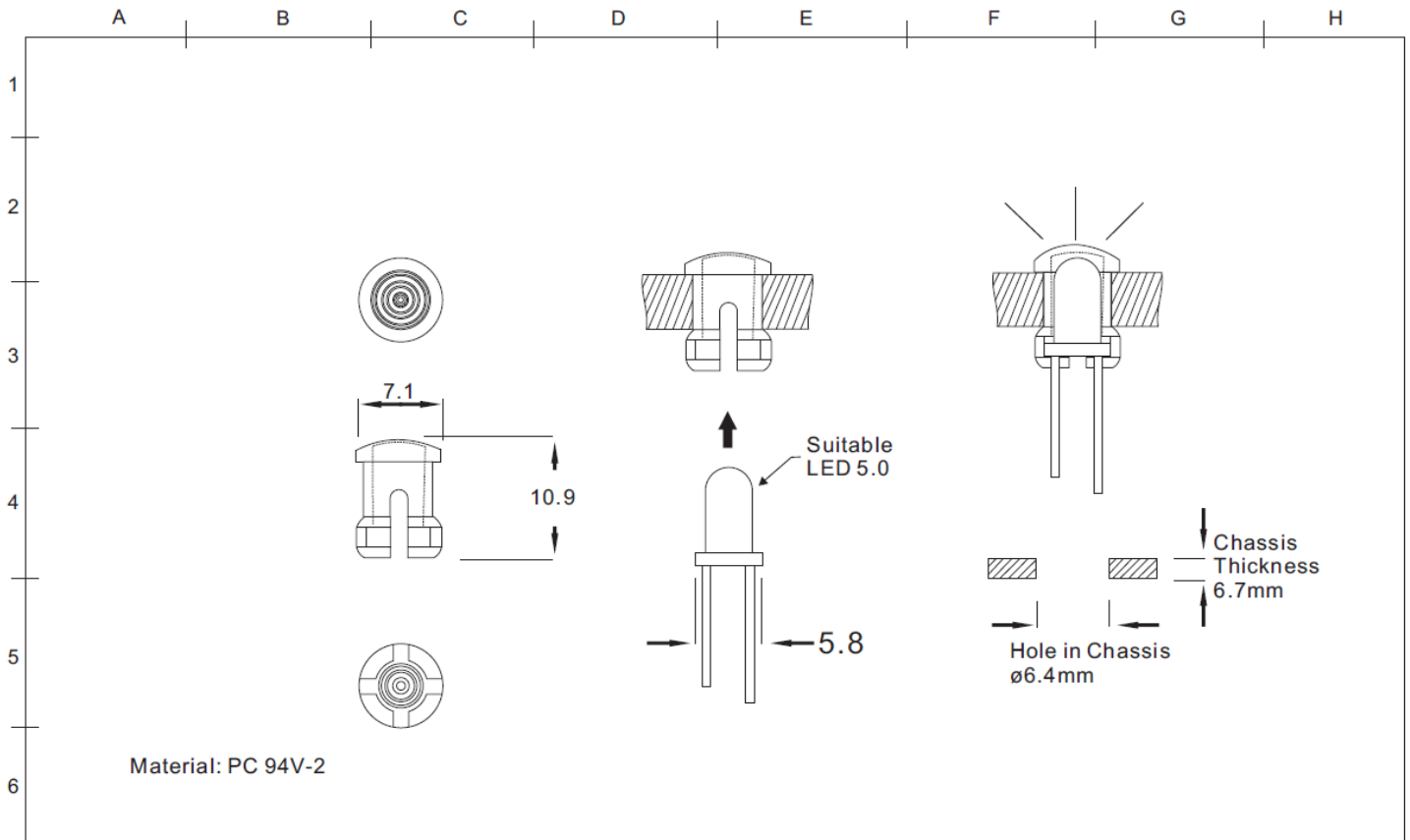


Datasheet

Item no. 1571417

V1_08062018_01_en

LED Cap



DATE	REVISION	APPROVAL BY	Unit	mm \pm 0.3	LED CAPS
					Model: EDK-1C
			DATE	03-12-11	