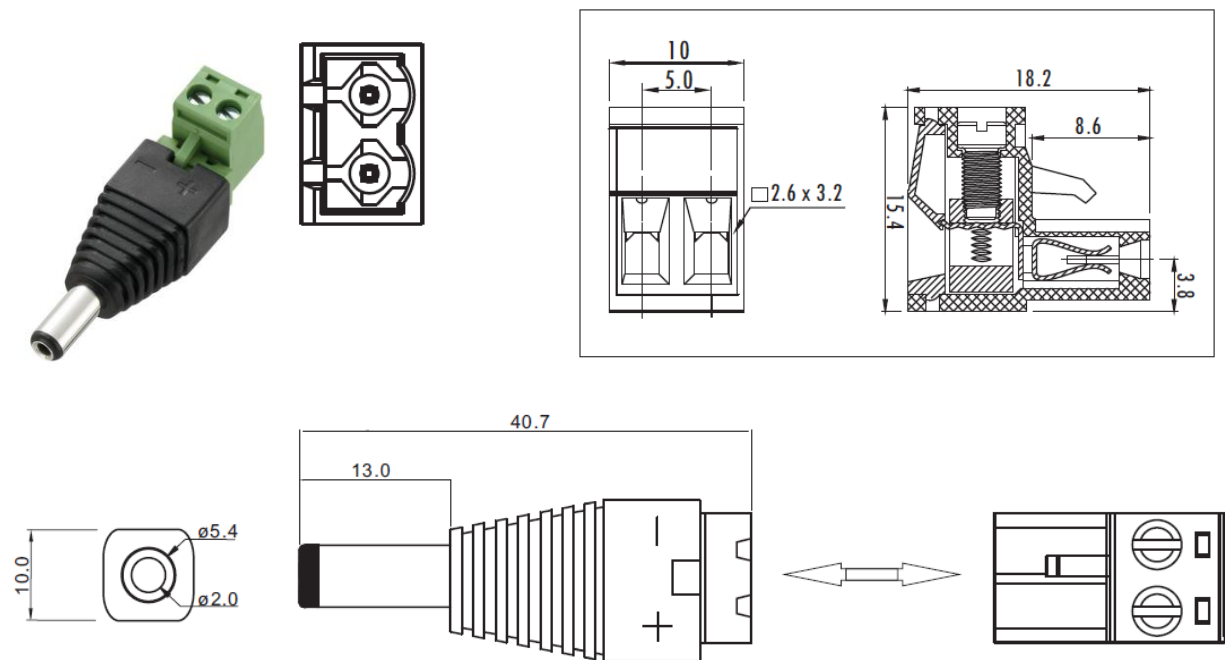


## Data Sheet

---

### 2.1mm Male plug adapter (pluggable terminal)



### Technical data

#### Electrical:

Voltage rating: 12VDC

Current rating: 5A

Contact resistance: 20m $\Omega$

Insulation resistance: 5000M $\Omega$  / 1000V

Wire range: 28-12AWG

#### Mechanical:

Torque: 0.4Nm (3.5Lb/In.)

Operating temperature: -40°C to 105°C

Strip length: 7mm