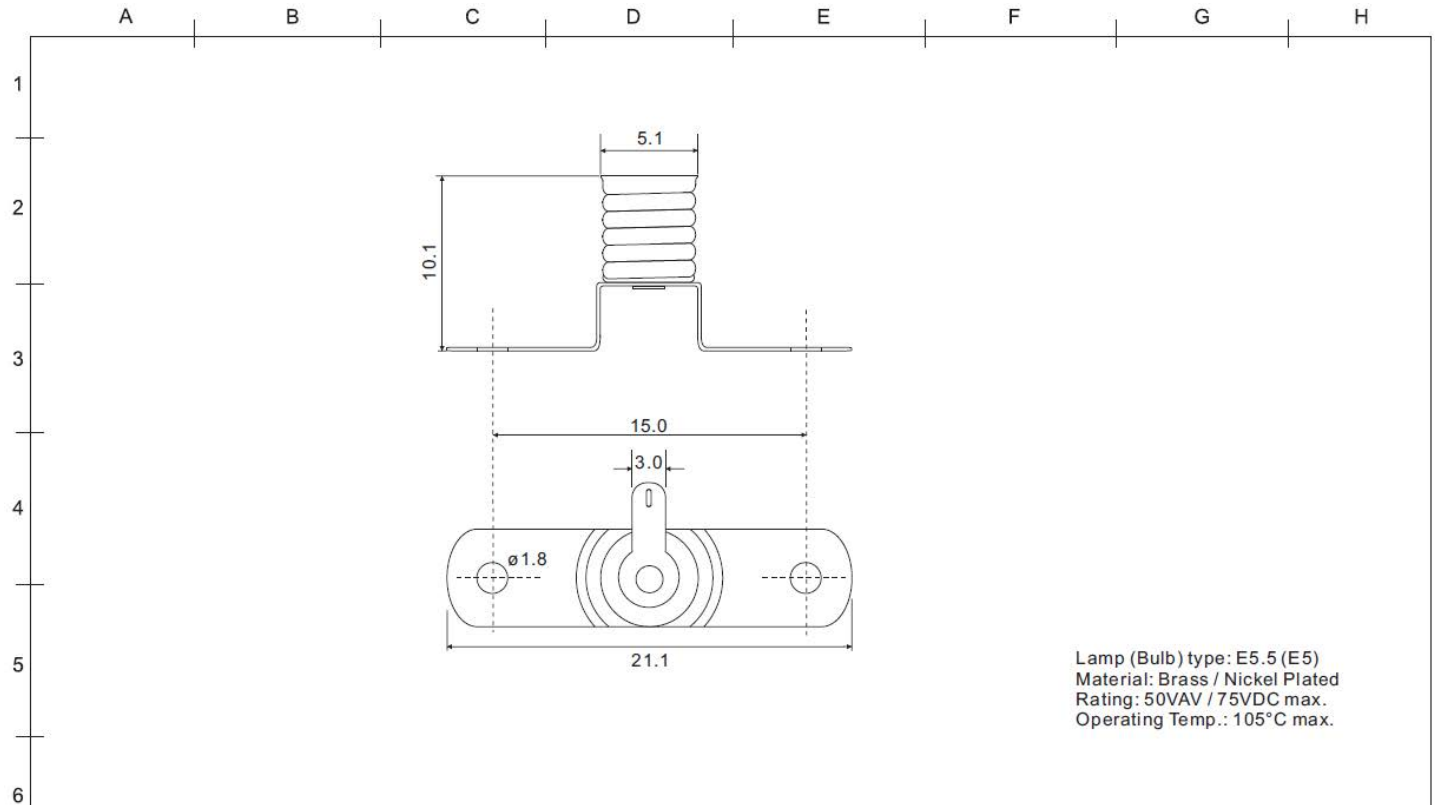


Datasheet

Item no. 1571519

V1_0917_01_en

E5.5 bulb holder with screw mounting and soldering terminal



Lamp (Bulb) type: E5.5 (E5)
 Material: Brass / Nickel Plated
 Rating: 50VAV / 75VDC max.
 Operating Temp.: 105°C max.

DATE	REVISION	APPROVAL BY	DIMENSION	mm ± 0.3	Model	252-E5.5
			DRAW BY	Vivian Lai	Name	E5.5 Lamp Holder
			APPROVAL BY	Rikki So		
			DATE	20-05-2013		

Unit: mm

This is a publication by Conrad Electronic SE, Klaus-Conrad-Str. 1, D-92240 Hirschau (www.conrad.com).
 All rights including translation reserved. Reproduction by any method, e.g. photocopy, microfilming, or the capture in electronic data processing systems require the prior written approval by the editor. Reprinting, also in part, is prohibited. This publication represents the technical status at the time of printing.
 © Copyright 2017 by Conrad Electronic SE.