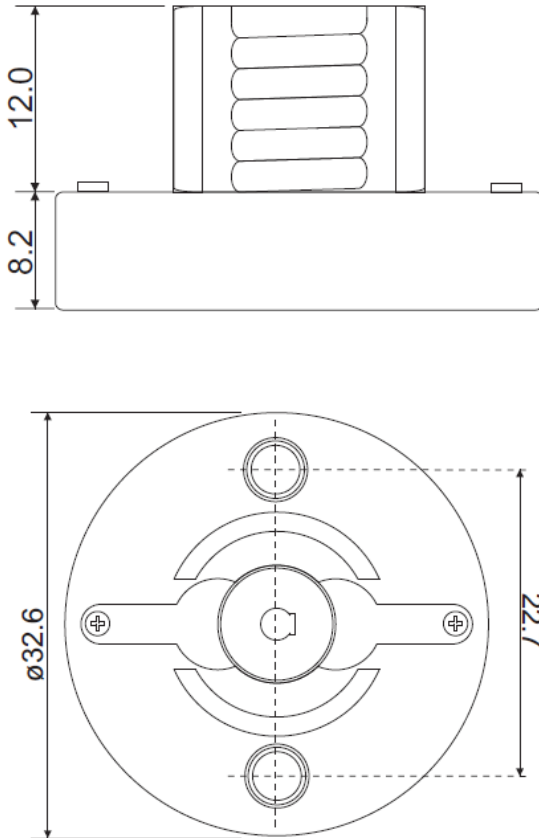


Data Sheet

E10 Lamp Holder



Technical data

Lamp type: E10

Material: Nylon 94V-2 & Brass/Nikel plated

Rating: 50VAC/75VDC max.

Current: 2A max.

Operating temperature: 105°C max.