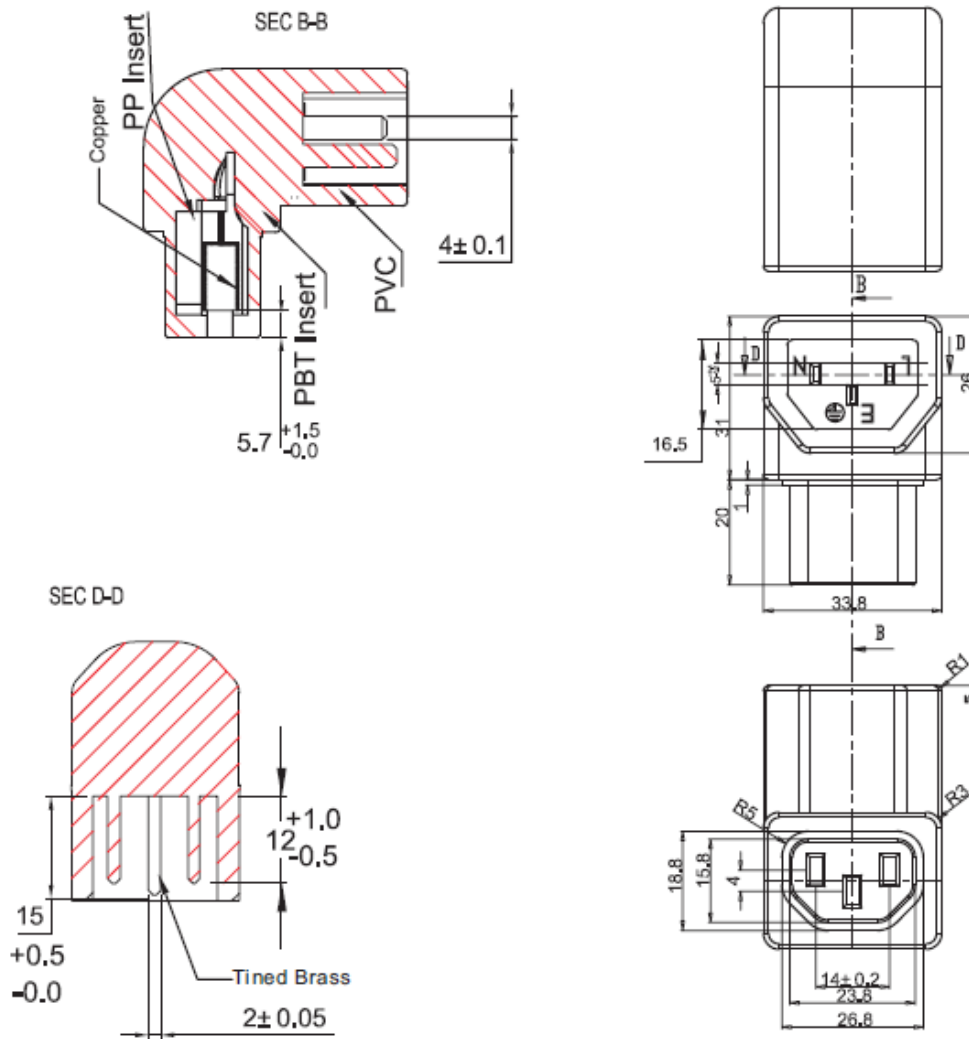
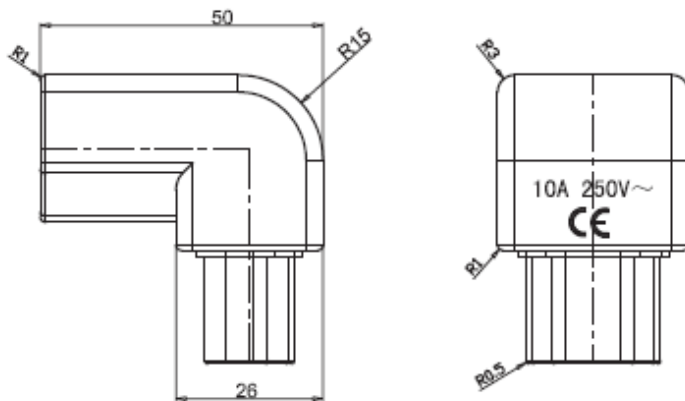
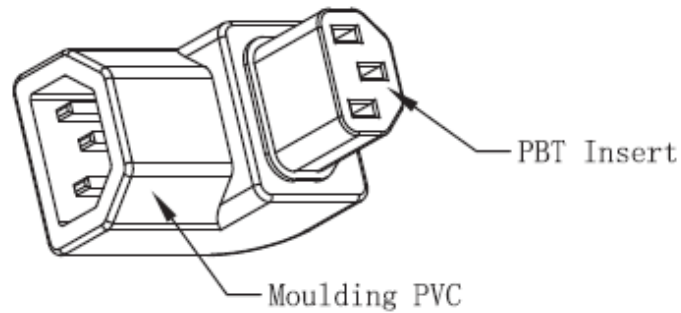


Data Sheet

IEC adapter C13 to C14, right angle



Data Sheet



Specification

Rating Voltage:	250V AC
Rating Current:	10Amp
Insulation resistance:	min. 100MΩ/500VDC
Dielectric Strength:	2000V AC/ 1 minute
Operating temperature:	-40° ~ 85°C