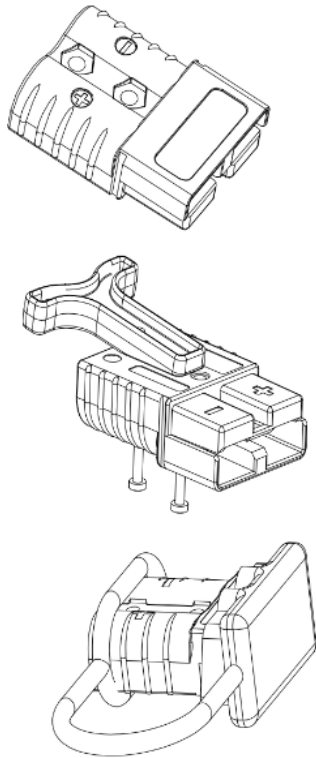


## 120Amp 2 poles Power Connectors



### FEATURES & BENEFITS

- Genderless Housings  
Provide simplified assembly and minimize the number of components
- Low Resistance Connection  
Silver or tin plated copper contacts inside housings that strongly force the contacts together
- Hot Plugging AC or DC  
Contacts feature a sacrificial tip that allows high current circuit interrupt
- Keyed & Color Coded Housings  
Prevents accidental cross mating of circuits
- Self Securing Design  
Stainless steel springs create a robust force between the contacts that holds the connector in the mated position
- Auxiliary or Ground Positions  
For signal transmission or the added safety of a primate ground position

Rated Current(Amperes):	120A
Rated Voltage(Voltage) :	600V
Contact Barrel Wire Size(AWG) :	2/4/6AWG (13.3mm <sup>2</sup> -21.1/33.6mm <sup>2</sup> )
Average Contact Resistance :	0.05MΩ
Voltage Proof :	2200V(DC)
Insulation Resistance :	500MΩ
A. No Load (Contact/Disconnect Cycles)	To10,000
B. Under Load (Hot Plug 250 Cycles@120V)	60A
Average Unmating Force :	85N
Flammability Rating of Housing Material :	UL94 V-0
Operating Temperature Range :	-20°to 125°
Contact Material :	Copper\Plating Silver

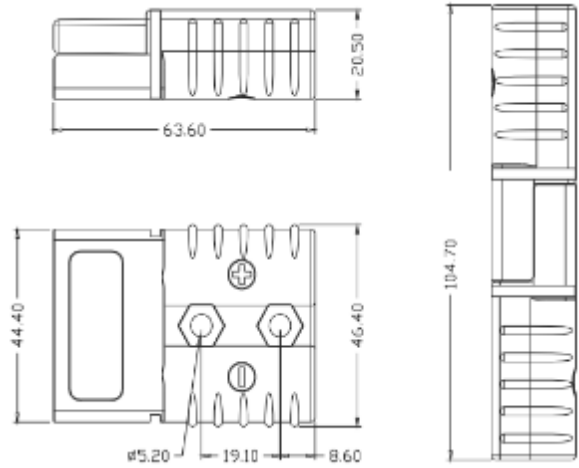
# Datasheet

Item no. 1570748 1571629 1568158

V1\_08292018\_01\_en

## Housings

Item No.	Color	Voltage
1570748	Red	24V
1571629	Grey	36V
1568158	Blue	48V



## Temperature rise charts

