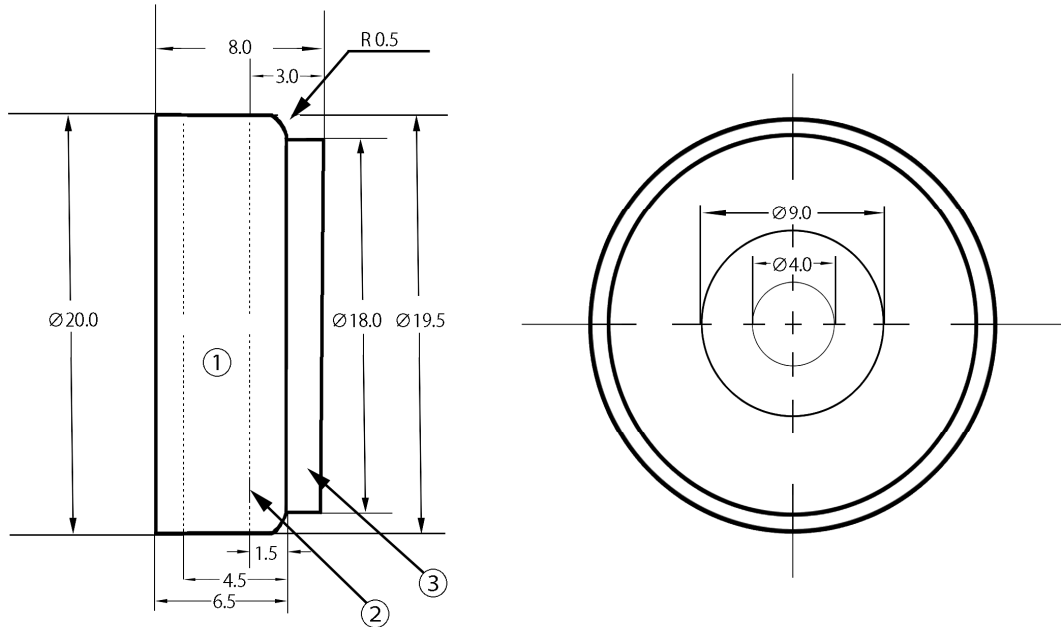


BN 1571793 J, Feet Trann-Leg, Black



No.	Parts Name	Materials
①	Mould	ABS resin
②	Adhesive	
③	Felt	HB450