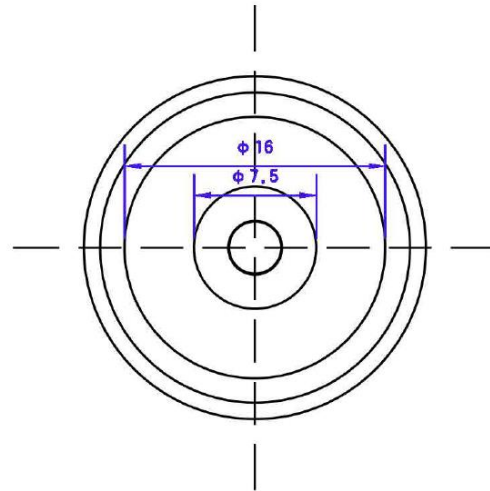
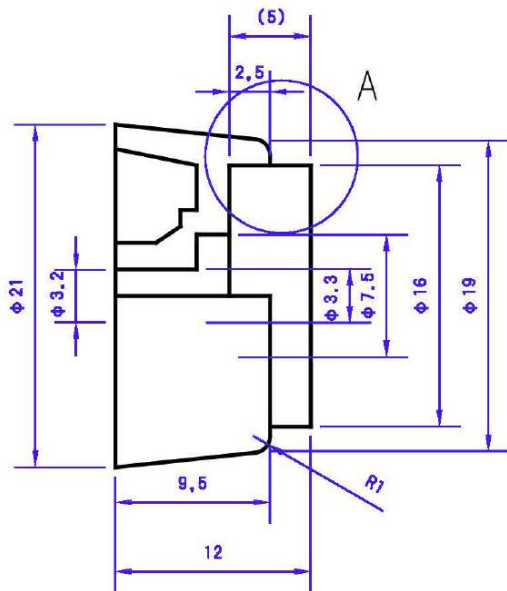
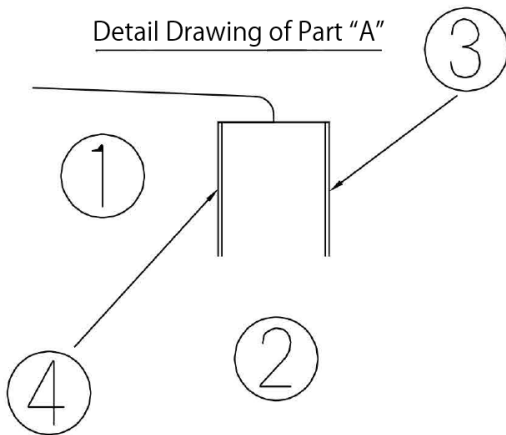


# Data Sheet

## H, Feet Trann-Leg, Black



Detail Drawing of Part "A"



No.	Parts Name	Materials
④	Adhesive	
③	Slip Prevention	
②	Felt	HB450
①	Mould	ABS Resin