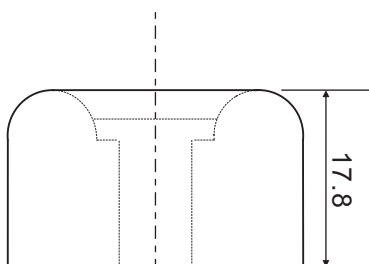
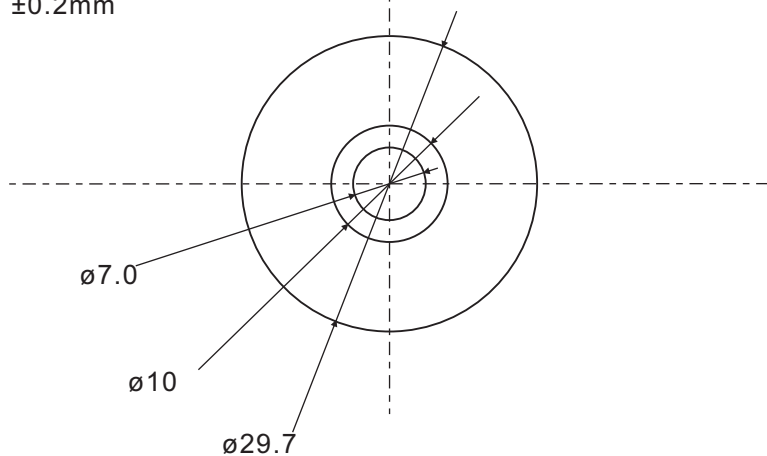


Rubber Nut



±0.2mm



Material

Nut: Silicon Rubber
Color: Grey

Insert tube: Iron
Plating: Zinc

Operating Temp.: -10 ~ 65°C
Operation Humidity: 95%RH

Product Weight: approx. 13.3g

This is a publication by Conrad Electronic SE, Klaus-Conrad-Str. 1, D-92240 Hirschau (www.conrad.com).

All rights including translation reserved. Reproduction by any method, e.g. photocopy, microfilming, or the capture in electronic data processing systems require the prior written approval by the editor. Reprinting, also in part, is prohibited. This data represent the technical status at the time of printing. Changes in technology and equipment reserved.

© Copyright 2018 by Conrad Electronic SE.