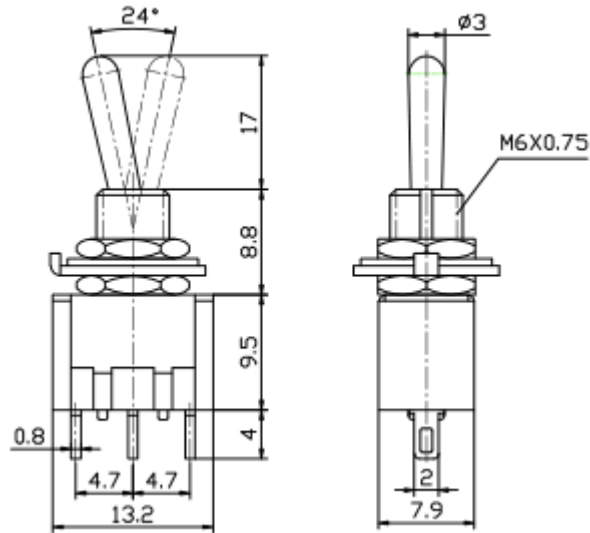


Datasheet

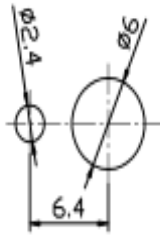
Item no. 1571811

V1_09062017_01_en

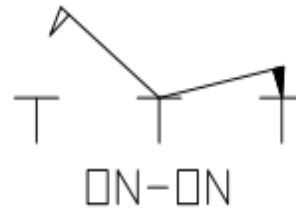
Outline Drawing



Mounting



Circuitry



Miniature Toggle Switch

TYPE:MTS-102

Specification

- 1.Rating:6A 125V AC;3A 250V AC
- 2.Contact R:20Ωm max
- 3.Insulation R:500V DC 1000Ω min
- 4.Dielectric Strength:1 Minute 1500V AC
- 5.Operating Temperature:-25~+85
- 6.Electrical Life:10,000 Cycles

This is a publication by Conrad Electronic SE, Klaus-Conrad-Str. 1, D-92240 Hirschau (www.conrad.com).

All rights including translation reserved. Reproduction by any method, e.g. photocopy, microfilming, or the capture in electronic data processing systems require the prior written approval by the editor. Reprinting, also in part, is prohibited. This publication represents the technical status at the time of printing.