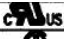
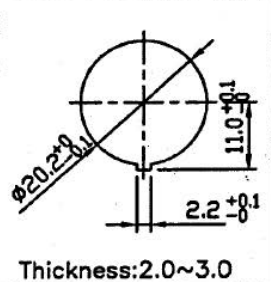
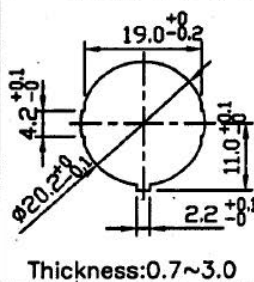
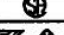
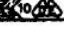
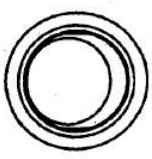
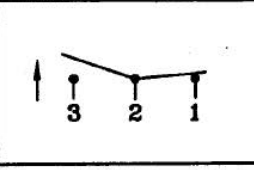
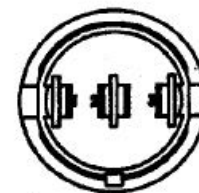
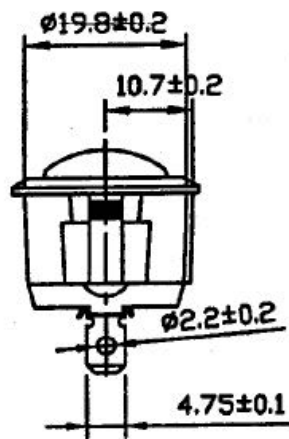
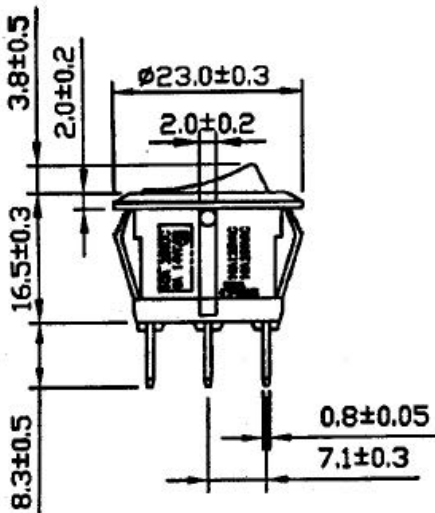


Rocker Switch, B/B no mark

Rating	16A 125VAC, 10A 250VAC 	<p style="text-align: center;">Mounting Hole</p>  <p style="text-align: center;">Thickness:2.0~3.0</p>	 <p style="text-align: center;">Thickness:0.7~3.0</p>
	10A 28VDC, 6A 14VT 		
	10(4)A 250V~ 		
Contact Resistance	50m ohm Max.		
Insulation Resistance	DC 500V 100M ohm Min.		
Dielectric Strength	AC 1500V 1 minute		
Operation Temperature	-20°C~85°C		
Switch Function	3P SPDT ON-(ON)		
<p>Material: Frame: Black, Nylon# 66 Actuator: Black, Nylon# 66 Printed: None</p> 		<p style="text-align: center;">Circuit Diagram</p> 	



Unit: mm