

# Data Sheet

## P.C.B. Relay



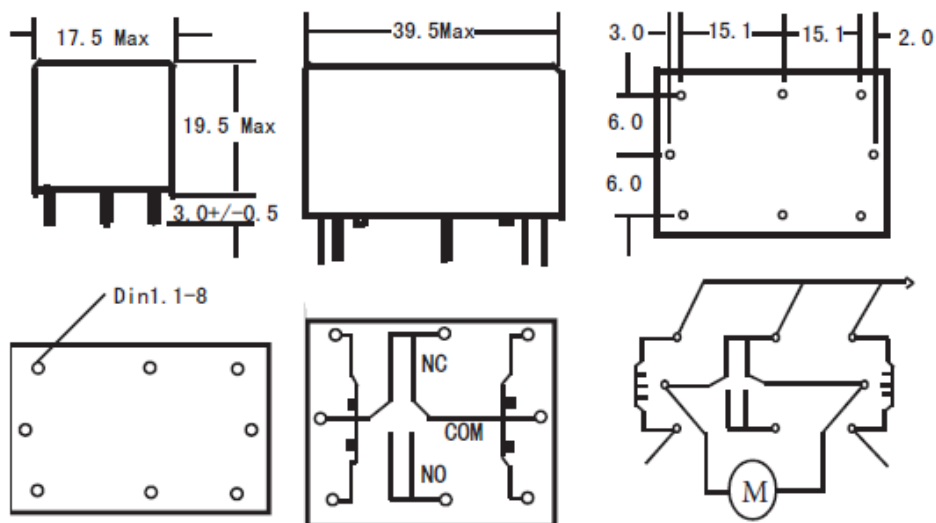
★ Coll Data:(at +25 °C)

| ME20-3FF | Coll Voltage VDC | Nominal Current (mA) | Coll Resistance ohm +/- 10% | Pull in Voltage | Drop out Voltage | Max Voltage | Power Consumption |
|----------|------------------|----------------------|-----------------------------|-----------------|------------------|-------------|-------------------|
| MR20     | 12               | 80                   | 210                         | 50%Max          | 7.5% Min         | 120%Max     | 0.04W             |

★ ORDERING CODE

MR20-3FF-DC-  V 12:12V  
 24:24V

★ Dimensions (unit:mm)



## Data Sheet

---

### ★ Contact Rating

|  |                |
|--|----------------|
| mode   | MR20-3FF-DC12  |
| Contact Capacity Resistive Load, COS $\Phi$ =1 | 10A/250V AC    |
| Max. Allowable Voltage                         | AC 250V        |
| Max. Allowable Current                         | 10A            |
| Applicable Load                                | 500mA at 5 VDC |
| Contact Material                               | AGSNO2         |
| Contact Form                                   | 2×1 Form C     |

### ★ Performance (at initial value)

|   |   |
|---|---|
| Item  | MR20-3FF-DC12                           |
| Contact Resistance                          | 100m $\Omega$ Max                       |
| Operate Time                                | 5msec. Max                              |
| Release Time                                | 2msec. Max                              |
| Dielectric Strength<br>Between Coil&Contact | AC 500V(1Min)                           |
| Between Contacts                            | AC 500V(1Min)                           |
| Max. ON/OFF Switching<br>Mechanically       | 300 operation/min                       |
| Electrically                                | 30 operation/min                        |
| Operation Ambient Temperature               | -30°C to +105°C                         |
| Operating Humidity                          | 20 to 85% RH                            |
| Coil Temperature Rise <sup>1</sup>          | 30 deg. Max. (at rated coil voltage)    |
| Vibration Endurance                         | 10 to 55Hz Double Amplitude 1.5 mm, 9G  |
| Error Operation                             | 10 to 55Hz Double Amplitude 1.5 mm, 12G |
| Shock Endurance                             | 100G Min.                               |
| Error Operation                             | 10G Min.                                |
| Life Expectancy Mechanically                | 10 × 10 <sup>n</sup> (no load)          |
| Electrically                                | 10 × 10 <sup>4</sup> (resistive load)   |