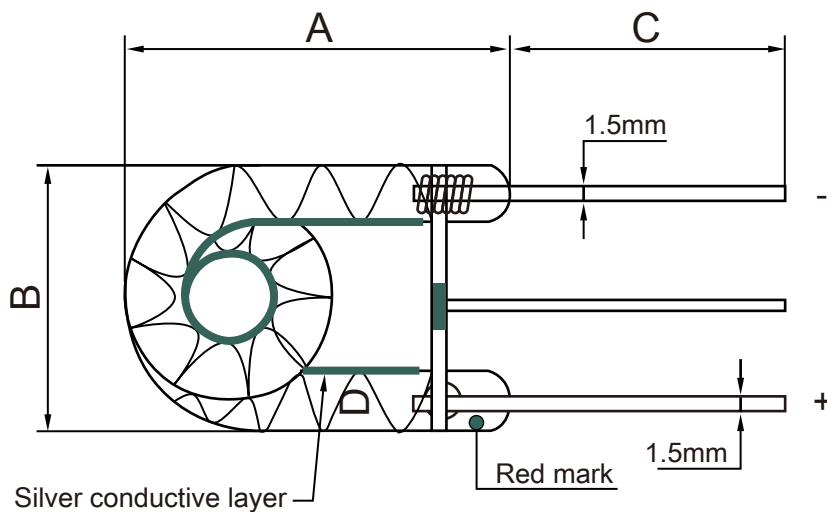




Specification

Normal flash energy	21W
Design anode voltage	310V
Max anode voltage	330V
Min anode voltage	230V
Min trigger voltage	4KV
Length A	30±1.5mm
Length B	24±1mm
Length C	40±1mm
Tube diameter D	Φ6.0±0.3mm
Flash rate at normal energy	1/Sec.
Life	3.0x10 ⁶ flashes



This is a publication by Conrad Electronic SE, Klaus-Conrad-Str. 1, D-92240 Hirschau (www.conrad.com).

All rights including translation reserved. Reproduction by any method, e.g. photocopy, microfilming, or the capture in electronic data processing systems require the prior written approval by the editor. Reprinting, also in part, is prohibited. This data represent the technical status at the time of printing. Changes in technology and equipment reserved.

© Copyright 2021 by Conrad Electronic SE.