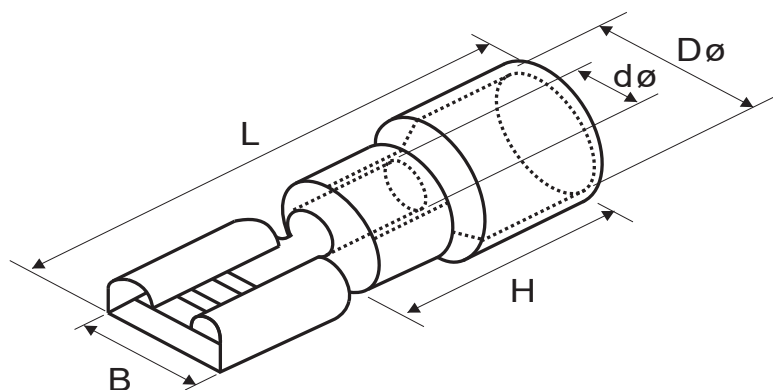


Female Crimp Terminal Connectors



Operating Temperature : 75°C max.

Material
 Terminal : Copper
 Insulation : PVC
 Plating : TIN

Best-Nr.	Typ	WIRE RANGE mm ² / AWG	Suitable connect TAB	T (mm)	DIMENSION					COLOR	
					B (mm)	dø (mm)	Dø (mm)	L (mm)	H (mm)		
1570151	FDD1.25-110(5)	0.5~1.5mm ² 22~16 AWG	2.8 x 0.5	0.3	±0.1	±0.2	±0.2	±0.3	±1.0	10.0	RED
1572131	FDD1.25-110(8)		2.8 x 0.8	0.3	±0.1	±0.2	±0.2	±0.3	±1.0		
1566731	FDD1.25-187(5)		4.8 x 0.5	0.35	±0.1	±0.2	±0.2	±0.3	±1.0		
1566732	FDD1.25-187(8)		4.8 x 0.8	0.35	±0.1	±0.2	±0.2	±0.3	±1.0		
1566935	FDD1.25-205		5.2 x 0.5	0.35	±0.1	±0.2	±0.2	±0.3	±1.0		
1564452	FDD1.25-250		6.4 x 0.8	0.4	±0.1	±0.2	±0.2	±0.3	±1.0		
1564493	FDD2-110(5)	1.5~2.5mm ² 16~14 AWG	2.8 x 0.5	0.3	±0.1	±0.2	±0.2	±0.3	±1.0	10.0	BLUE
1566936	FDD2-110(8)		2.8 x 0.8	0.3	±0.1	±0.2	±0.2	±0.3	±1.0		
1572132	FDD2-187(5)		4.8 x 0.5	0.35	±0.1	±0.2	±0.2	±0.3	±1.0		
1564453	FDD2-187(8)		4.8 x 0.8	0.35	±0.1	±0.2	±0.2	±0.3	±1.0		
1570198	FDD2-205		5.2 x 0.5	0.35	±0.1	±0.2	±0.2	±0.3	±1.0		
1565138	FDD2-250		6.4 x 0.8	0.4	±0.1	±0.2	±0.2	±0.3	±1.0		
1570199	FDD2-312	8.0 x 0.8	0.4	±0.1	±0.2	±0.2	±0.3	±1.0			
1572191	FDD5.5-187	4~6mm ² 12~10 AWG	4.8 x 0.5	0.5	±0.1	±0.2	±0.2	±0.3	±1.0	13.0	YELLOW
1572133	FDD5.5-250		6.4 x 0.8	0.4	±0.1	±0.2	±0.2	±0.3	±1.0		
1566937	FDD5.5-312		8.0 x 0.8	0.5	±0.1	±0.2	±0.2	±0.3	±1.0		

This is a publication by Conrad Electronic SE, Klaus-Conrad-Str. 1, D-92240 Hirschau (www.conrad.com).

All rights including translation reserved. Reproduction by any method, e.g. photocopy, microfilming, or the capture in electronic data processing systems require the prior written approval by the editor. Reprinting, also in part, is prohibited. This data represent the technical status at the time of printing. Changes in technology and equipment reserved.

© Copyright 2020 by Conrad Electronic SE.