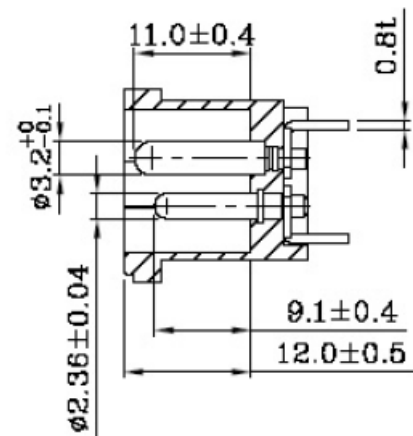
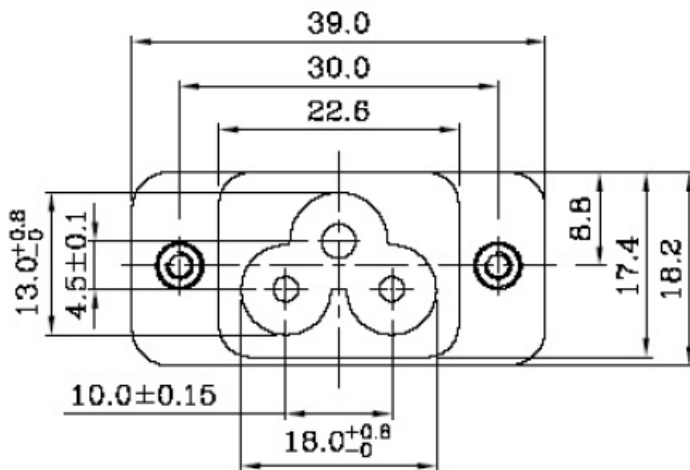


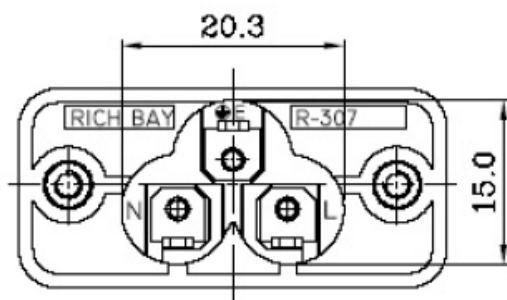
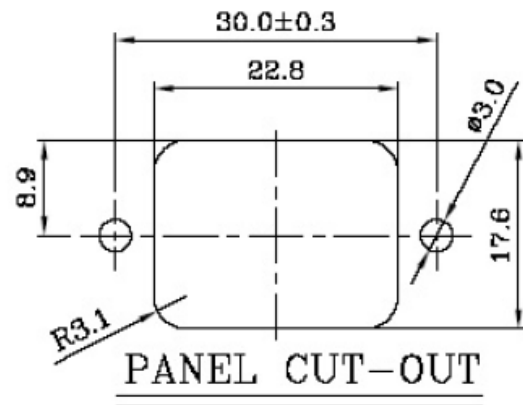
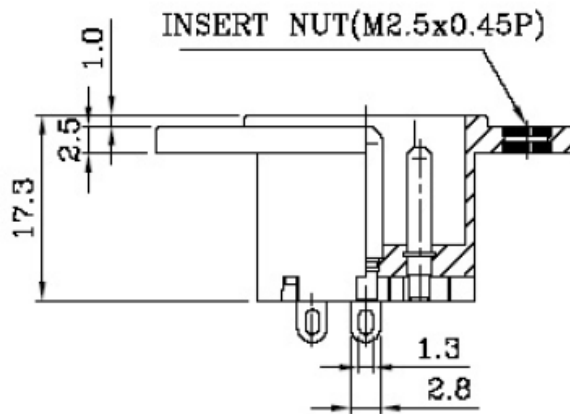
## Data Sheet

---

### IEC C6 Socket








## Data Sheet



**SPECIFICATION:**

1. Insulation Resistance: Over 100MΩ at 500V DC.
2. Dielectric strength: 2000V AC 1 Minute.
3. Body Material: Thermoplastic 94V-2~V-0.

Rating:AC 2.5A 250V	
Mark	Safety Regulation
	VDE
	ENEC
	CUL
	UL
	CCC

Unit: mm

Scale: 3:2