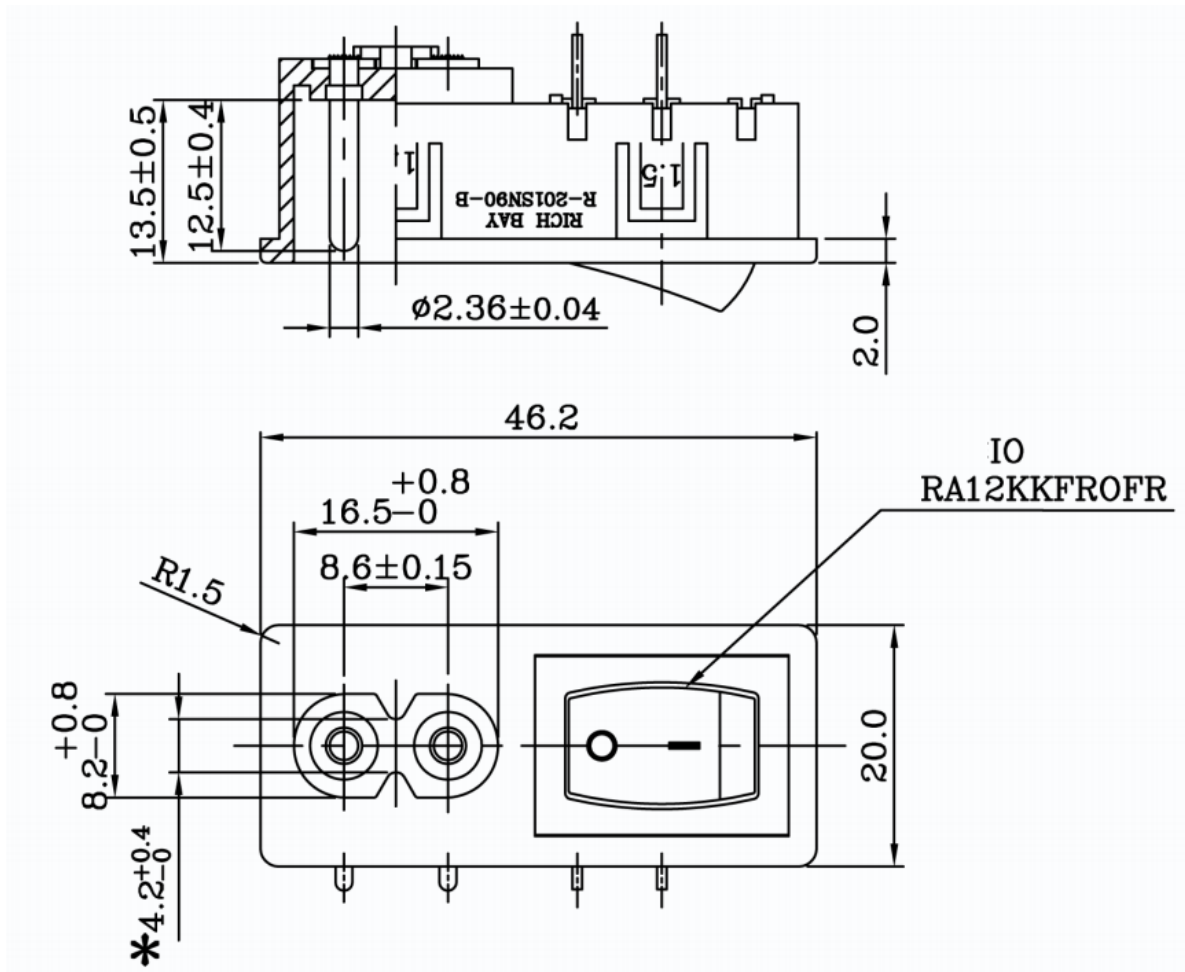
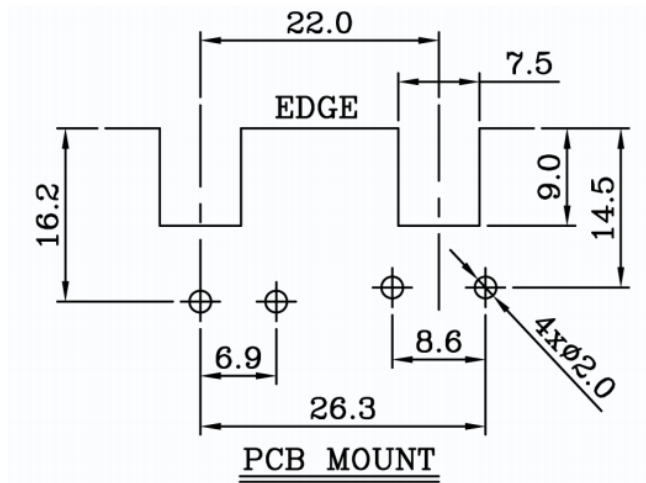
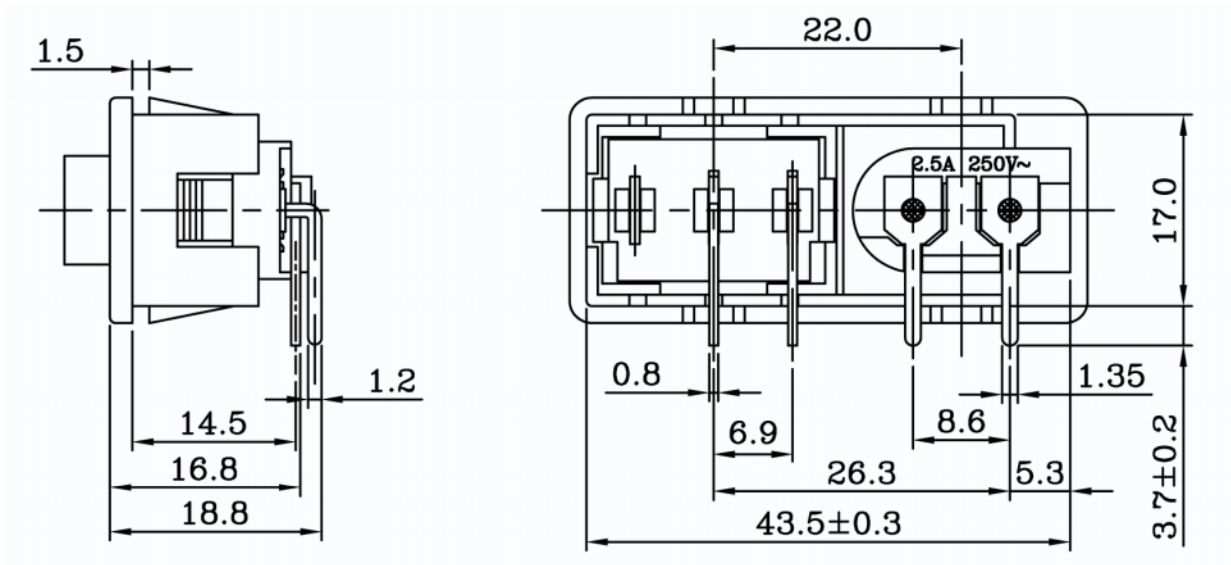




## Data Sheet

### IEC C8 Socket



## Data Sheet



Rating: AC 2.5A 250V	
Mark	Safety Regulation
cULus	cULus
	VDE
	ENEC

## Data Sheet

---

### SPECIFICATION (SWITCH) :

- 1.RATING : 10A 125V~ (UL CUL) .  
RLEIL RL3T125/55 6(2)A 250V~ 1E4  
(VDE,SEMKO,NEMKO,DEMKO,FIMKO).
- 2.CONTACT RESISTANCE : 30m  $\Omega$  Max.
- 3.INSULATION RESISTANCE : DC 500V 100M $\Omega$  Min .
- 4.WITHSTAND VOLTAGE : AC 1000V 1 Minute , 5mA .
- 5.ELECTRICAL LIFE : 10,000 Cycles At Full Load .

### SPECIFICATION:

1. STANDARDS :
  - 1.1 IEC 320 , EN60320 : STANDARD SHEET C8  
UL-498 , CSA22.2 .
  - 1.2 RATING : 2.5A 250V AC .
  - 1.3 COLOR : BLACK (others on Request) .
2. MATERIAL :
  - 2.1 HOUSING : THERMOPLASTIC , NYLON 66 ,  
FLAMMABILITY UL 94V-2 (UL 94V-0 on  
Request) .
  - 2.2 TERMINAL : COPPER ALLOY/BRASS , TIN  
PLATED OR NI PLATED .
3. CHARACTERISTICS :
  - 3.1 INSULATION RESISTANCE : 100M $\Omega$  AT 500V DC .
  - 3.2 DIELECTRIC STRENGTH : 2000V AC .  
(BETWEEN TERMINALS) 1 MINUTE AT 0.5mA .
  - 3.3 OPERATING TEMPERATURE : -25 $^{\circ}$ C ~ +85 $^{\circ}$ C .
  - 3.4 SOLDERABILITY TEMPERATURE OF  
SOLDER BATH - - 235 $^{\circ}$ C DIPPING TIME  
3 ~ 5 SECONDS.
  - 3.5 PULL FORCE OF TERMINAL : 60N (6.12kgf) .