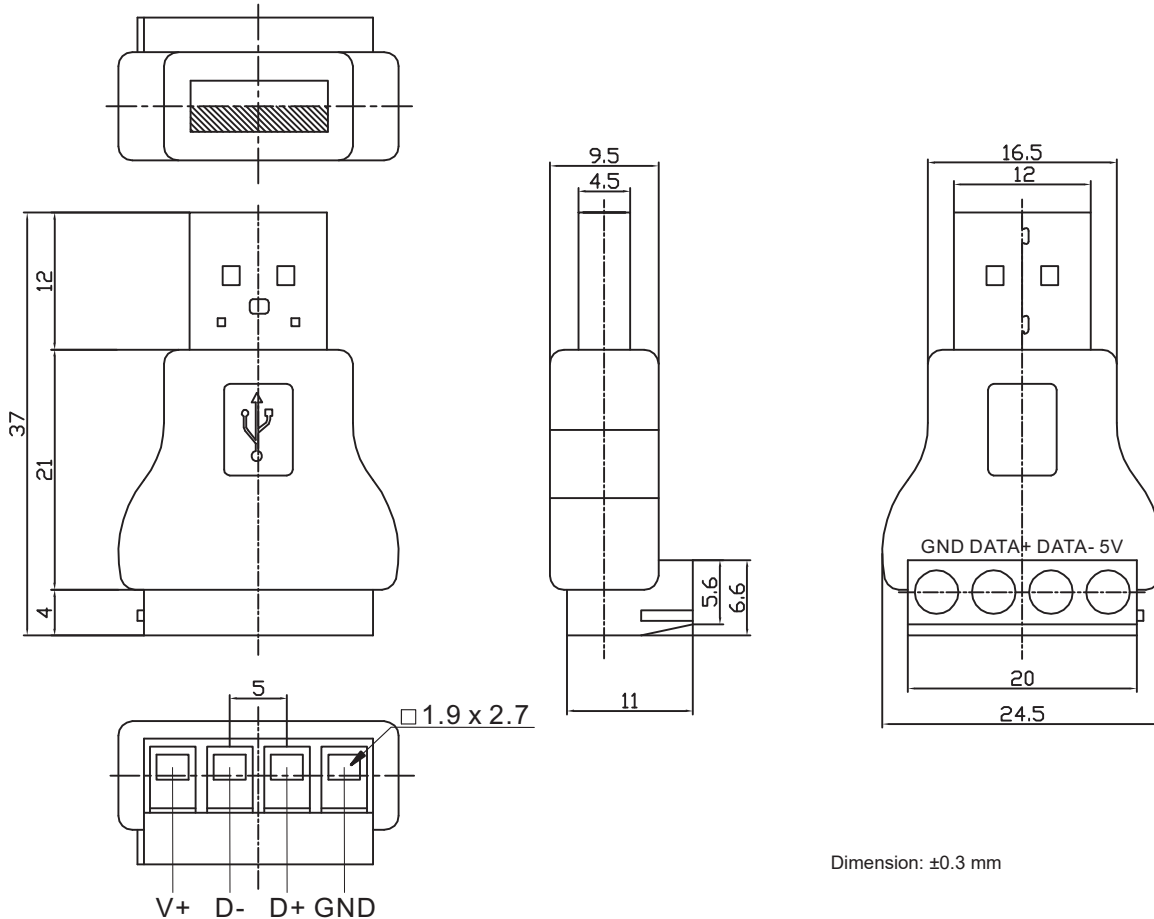


USB Male to Terminal Adaptor



Specification

Rating Voltage:

Rating Current:

Contact resistance:

Insulating resistance:

Operating temperature:

5VDC

1.5Amp

30m Ω max.

min. 100M Ω /500VDC

-40° ~ 85°C