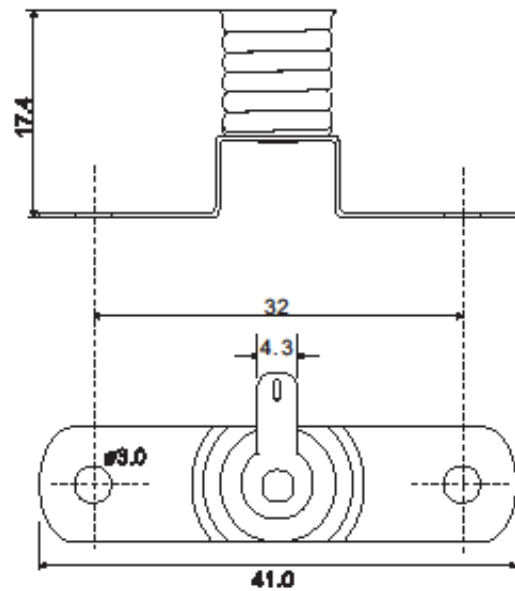


E10 bulb holder with screw mounting and soldering terminal



Operating voltage..... 50VAC / 75VDC max.

Bulb type..... E10

Material Brass / Nickel-plated

Operating temperature..... 105 °C max.

Unit: mm

This is a publication by Conrad Electronic SE, Klaus-Conrad-Str. 1, D-92240 Hirschau (www.conrad.com).
 All rights including translation reserved. Reproduction by any method, e.g. photocopy, microfilming, or the capture in electronic data processing systems require the prior written approval by the editor. Reprinting, also in part, is prohibited. This publication represents the technical status at the time of printing.
 © Copyright 2017 by Conrad Electronic SE.