

Solid-state relay module - PLC-OPT-230UC/ 48DC/100/ SEN - 2900361

Please be informed that the data shown in this PDF Document is generated from our Online Catalog. Please find the complete data in the user's documentation. Our General Terms of Use for Downloads are valid (<http://download.phoenixcontact.com>)



PLC-INTERFACE for input functions, consisting of PLC-BPT.../SEN basic terminal block with push-in connection and plug-in miniature solid-state relay, for mounting on DIN rail NS 35/7,5, 1 N/O contact, input: 230 V AC/220 V DC, output: 3 - 48 V DC/100 mA

The figure shows the 24 V DC version

Your advantages

- No need for additional modular terminal blocks
- Efficient connection to system cabling using V8 adapter
- Time savings of up to 60 %
- Relay modules with safe isolation according to DIN EN 50178 between coil and contact
- Space savings of up to 80 %
- Functional plug-in bridges
- Sensor connected directly to relay module



Key commercial data

package_quantity	10
GTIN	4046356508803

Technical data

Note

Utilization restriction	EMC: class A product, see manufacturer's declaration in the download area
--------------------------------	---

Dimensions

Width	6.2 mm
Height	80 mm
Depth	94 mm

Ambient conditions

Ambient temperature (operation)	-25 °C ... 60 °C
Ambient temperature (storage/transport)	-25 °C ... 70 °C

Input data

Nominal input voltage U_N	230 V AC (220 V DC)
--	---------------------

Solid-state relay module - PLC-OPT-230UC/ 48DC/100/SEN - 2900361

Technical data

Input data

Nominal input voltage U_N	220 V DC
Input voltage range in reference to U_N	0.8 ... 1.1
Input voltage range	184 V AC ... 253 V AC
Input voltage range	176 V DC ... 242 V DC
Switching threshold "0" signal in reference to U_N	≤ 0.3
Switching threshold "1" signal in reference to U_N	≥ 0.8
Typical input current at U_N	3.5 mA
Typical response time	3 ms (at U_N)
Typical turn-off time	5 ms (at U_N)
Operating voltage display	Yellow LED
Type of protection	Bridge rectifier
Protective circuit/component	Bridge rectifier
Transmission frequency	10 Hz
Power dissipation for nominal condition	0.81 W

Output data

Output voltage range	3 V DC ... 48 V DC
Limiting continuous current	100 mA
Voltage drop at max. limiting continuous current	≤ 1 V
Output circuit	2-wire, floating
Type of protection	Reverse polarity protection
Type of protection	Surge protection
Protective circuit/component	Polarity protection diode

Connection data, input side

Connection name	Input side
Connection method	Push-in connection
Stripping length	8 mm
Conductor cross section solid	0.14 mm ² ... 2.5 mm ²
Conductor cross section flexible	0.14 mm ² ... 2.5 mm ²
Conductor cross section AWG	26 ... 14

Connection data, output side

Connection name	Output side
Connection method	Push-in connection
Stripping length	8 mm
Conductor cross section solid	0.14 mm ² ... 2.5 mm ²
Conductor cross section flexible	0.14 mm ² ... 2.5 mm ²
Conductor cross section AWG	26 ... 14

General

Test voltage input/output	2.5 kV (50 Hz, 1 min.)
---------------------------	------------------------

Solid-state relay module - PLC-OPT-230UC/ 48DC/100/ SEN - 2900361

Technical data

General

Mounting position	any
Assembly instructions	In rows with zero spacing
Operating mode	100% operating factor
Flammability rating according to UL 94	V0
Designation	Standards/regulations
Standards/regulations	IEC 60664
Standards/regulations	EN 50178
Degree of pollution	2
Overvoltage category	III

Standards and Regulations

Connection in acc. with standard	CUL
Designation	Standards/regulations
Standards/regulations	IEC 60664
Standards/regulations	EN 50178
Insulation	Basic insulation
Degree of pollution	2
Overvoltage category	III
Flammability rating according to UL 94	V0

Environmental Product Compliance

China RoHS	Environmentally Friendly Use Period = 50
China RoHS	For details about hazardous substances go to tab "Downloads", Category "Manufacturer's declaration"

Classifications

eCl@ss

eCl@ss 5.0	27371001
eCl@ss 5.1	27371001
eCl@ss 6.0	27371604
eCl@ss 7.0	27371604
eCl@ss 8.0	27371604
eCl@ss 9.0	27371604

ETIM

ETIM 2.0	EC001504
ETIM 3.0	EC001504
ETIM 4.0	EC001504
ETIM 5.0	EC001504
ETIM 6.0	EC001504

UNSPSC

Solid-state relay module - PLC-OPT-230UC/ 48DC/100/ SEN - 2900361

Classifications



UNSPSC

UNSPSC 6.01	30211916
UNSPSC 7.0901	39121542
UNSPSC 11	39121542
UNSPSC 12.01	39121542
UNSPSC 13.2	39122326

Approvals

UL Recognized / UL Listed / cUL Recognized / cUL Listed / EAC / DNV GL / cULus Recognized / cULus Listed /

Approval details

UL Recognized 
UL Listed 
cUL Recognized 
cUL Listed 
EAC 
DNV GL
cULus Recognized 
cULus Listed

Accessories

DIN rail

NS 35/ 7,5 V2A UNPERF 2000MM - 0801377

Solid-state relay module - PLC-OPT-230UC/ 48DC/100/ SEN - 2900361

Accessories

NS 35/ 7,5 PERF 2000MM - 0801733

NS 35/ 7,5 CU UNPERF 2000MM - 0801762



NS 35/15 UNPERF 2000MM - 1201714



NS 35/15 CU UNPERF 2000MM - 1201895



NS 35/15-2,3 UNPERF 2000MM - 1201798



Solid-state relay module - PLC-OPT-230UC/ 48DC/100/ SEN - 2900361

Accessories

NS 35/15 AL UNPERF 2000MM - 1201756



NS 35/15 PERF 2000MM - 1201730



NS 35/ 7,5 UNPERF 2000MM - 0801681

Terminal marking

ZB 6/WH-100:UNBEDRUCKT - 5060935



ZB 6:UNBEDRUCKT - 1051003



Labeled terminal marker

Solid-state relay module - PLC-OPT-230UC/ 48DC/100/ SEN - 2900361

Accessories

ZB 6,LGS:FORTL.ZAHLEN - 1051016



Partition plate

PLC-ATP BK - 2966841



Power module

PLC-ESK GY - 2966508



Screwdriver tools

SZF 1-0,6X3,5 - 1204517



Controller board

Solid-state relay module - PLC-OPT-230UC/ 48DC/100/ SEN - 2900361

Accessories

PLC-V8/FLK14/IN - 2296553



PLC-V8/FLK14/IN/M - 2304115



PLC-V8/D15S/IN - 2296074



PLC-V8/D15B/IN - 2296087



Relay socket

PLC-BPT-230UC/ 1/SEN - 2900452



Single solid-state relay

Solid-state relay module - PLC-OPT-230UC/ 48DC/100/ SEN - 2900361

Accessories

OPT-60DC/ 48DC/100 - 2966621



Bridge

FBST 500-PLC RD - 2966786



FBST 500-PLC BU - 2966692



FBST 500-PLC GY - 2966838



FBST 6-PLC RD - 2966236



Solid-state relay module - PLC-OPT-230UC/ 48DC/100/ SEN - 2900361

Accessories

FBST 6-PLC BU - 2966812



FBST 6-PLC GY - 2966825

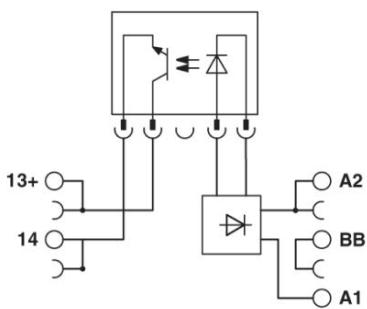


FBST 8-PLC GY - 2967688



Drawings

Circuit diagram



Phoenix Contact 2016 © - all rights reserved
<http://www.phoenixcontact.com>